



# BRAKE PAD PRIME CERAMIC P28051N

The P28051N NAO brake pad is synonymous with reliability

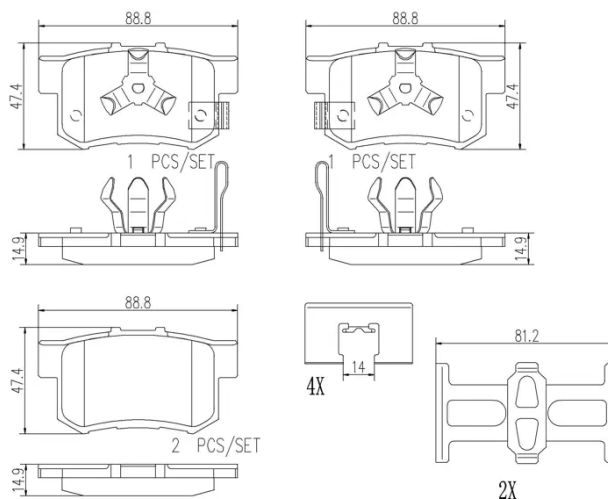
Brembo NAO brake pads stand out for their ultimate braking comfort, reduced friction wear and low dust mission, which makes for cleaner rims and reduced maintenance requirements. The advanced friction material in keeping with the strictest environmental standards is the main distinguishing feature of NAO compounds.

- ✓ OE-equivalent
- ✓ Brembo quality
- ✓ Safety
- ✓ Comfort
- ✓ Durability
- ✓ Dust reduction
- ✓ With accessories



## Technical specifications

EAN code <b>8020584097755</b>	Axle <b>Rear</b>	Thickness <b>15 mm</b>
Width <b>89 mm</b>	Height <b>47 mm</b>	Braking system <b>Akebono</b>
Wear indicator <b>Acoustic</b>	WVA number <b>24231,24232,24233</b>	Accessories <b>With accessories With piston clip With anti-squeal shim</b>



COMPATIBLE VEHICLES

## COMPATIBLE OE PART NUMBERS

43022SX5010	ACURA
43022T0GA00	ACURA
43022T0GA01	ACURA
43022TP6H00	ACURA
06430S0KJ01	HONDA
06430S0NJ00	HONDA
06430S2XJ00	HONDA
06430S3NJ00	HONDA
06430S7AJ00	HONDA
06430S7S000	HONDA
06430S9A010	HONDA
06430SCVA00	HONDA
06430SED000	HONDA
06430SEDE50	HONDA
43022S7S000	HONDA
43022S9A000	HONDA
43022S9A010	HONDA
43022S9A020	HONDA
43022S9AE00	HONDA
43022SCVA00	HONDA
43022SJF000	HONDA
43022SP0010	HONDA
43022SP0305	HONDA
43022SX5000	HONDA
43022T0GA00	HONDA
43022T0TH00	HONDA
43022T2MT00	HONDA
43022TLOG50	HONDA
43022TLOG51	HONDA
43022TLOG52	HONDA
43022TP6A00	HONDA
43022TP6A01	HONDA
43022T0TH00	HONDA (DONGFENG)
43022T0TH00	HONDA (GAC)
586202984	ISUZU
586207073	ISUZU
586207204	ISUZU
AY060HN005	NISSAN