



BRAKE PAD NAO P30073N

The P30073N NAO brake pad is synonymous with reliability

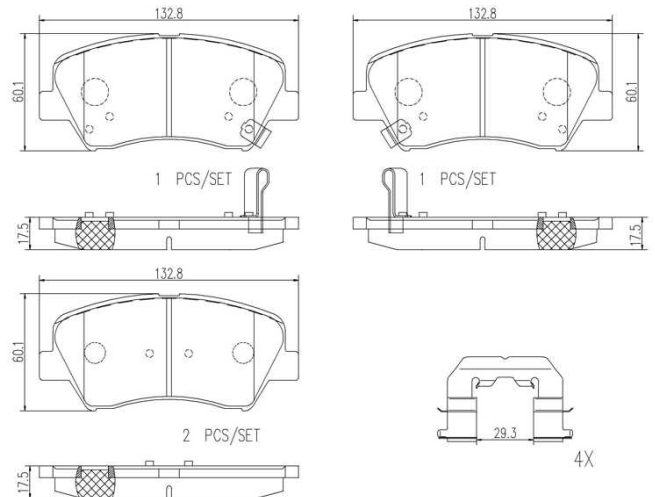
Brembo NAO brake pads stand out for their ultimate braking comfort, reduced friction wear and low dust mission, which makes for cleaner rims and reduced maintenance requirements. The advanced friction material in keeping with the strictest environmental standards is the main distinguishing feature of NAO compounds.

- ✓ OE-equivalent
- ✓ Brembo quality
- ✓ Safety
- ✓ Comfort
- ✓ Durability
- ✓ Dust reduction
- ✓ With accessories



Technical specifications

EAN code 8020584081310	Axle Front	Thickness 18 mm
Width 133 mm	Height 60 mm	Braking system Bosch
Wear indicator Acoustic	WVA number 25010,25708,25709	Accessories With accessories With anti-squeal shim



COMPATIBLE VEHICLES

COMPATIBLE OE PART NUMBERS

581011SA30	HYUNDAI
581012VA00	HYUNDAI
581012VA10	HYUNDAI
581012VA50	HYUNDAI
581012VA60	HYUNDAI
581013VA10	HYUNDAI
581013XA00	HYUNDAI
581013XA10	HYUNDAI
581013XA20	HYUNDAI
581013XA20DS	HYUNDAI
581014VA00	HYUNDAI
58101A5A00	HYUNDAI
58101A6A02	HYUNDAI
58101J6A10	HYUNDAI
58101F9A00	HYUNDAI (BEIJING)
58101H7A00	HYUNDAI (BEIJING)
581013XA00	KIA
581013XA20	KIA
58101A6A00	KIA
58101A6A01	KIA
58101A7A00	KIA
58101J6A10	KIA
S58101A6A02	KIA
S58101A6A03	KIA