



BRAKE PAD PRIME CERAMIC P30083N

The P30083N NAO brake pad is synonymous with reliability

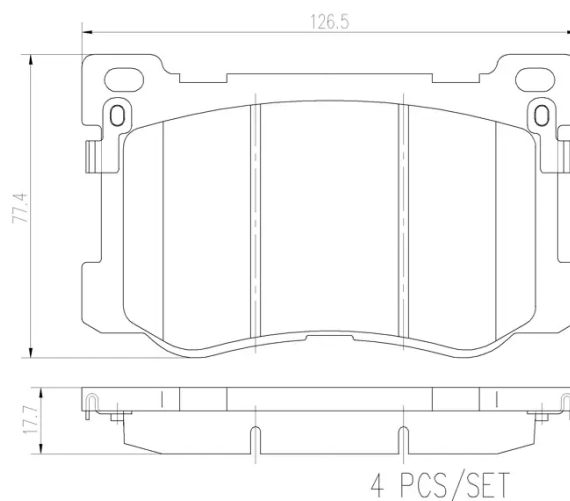
Brembo NAO brake pads stand out for their ultimate braking comfort, reduced friction wear and low dust mission, which makes for cleaner rims and reduced maintenance requirements. The advanced friction material in keeping with the strictest environmental standards is the main distinguishing feature of NAO compounds.

- ✓ OE-equivalent
- ✓ Brembo quality
- ✓ Safety
- ✓ Comfort
- ✓ Durability
- ✓ Dust reduction
- ✓ With accessories



Technical specifications

EAN code 8020584113752	Axle Front	Thickness 18 mm
Width 127 mm	Height 77 mm	Braking system Sumitomo
Wear indicator Acoustic	WVA number 22176	Accessories With anti-squeal shim



COMPATIBLE VEHICLES

COMPATIBLE OE PART NUMBERS

58101B1A33	GENESIS
------------	---------

581012MA90	HYUNDAI
------------	---------

581013NA50	HYUNDAI
------------	---------

581013NA90	HYUNDAI
------------	---------

581013TA50	HYUNDAI
------------	---------

58101B1A10	HYUNDAI
------------	---------

58101B1A11	HYUNDAI
------------	---------

58101B1A20	HYUNDAI
------------	---------

58101B1A25	HYUNDAI
------------	---------

58101B1A30	HYUNDAI
------------	---------

58101B1A33	HYUNDAI
------------	---------