



BRAKE PAD PRIME CERAMIC P37008N

The P37008N NAO brake pad is synonymous with reliability

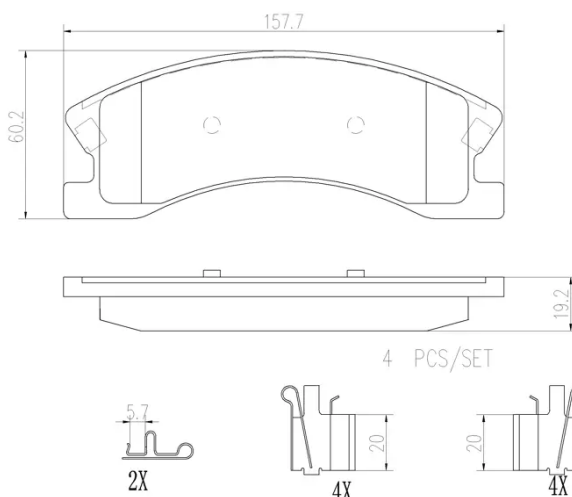
Brembo NAO brake pads stand out for their ultimate braking comfort, reduced friction wear and low dust mission, which makes for cleaner rims and reduced maintenance requirements. The advanced friction material in keeping with the strictest environmental standards is the main distinguishing feature of NAO compounds.

- ✓ OE-equivalent
- ✓ Brembo quality
- ✓ Safety
- ✓ Comfort
- ✓ Durability
- ✓ Dust reduction
- ✓ With accessories



Technical specifications

EAN code 8020584098226	Axle Front	Thickness 19 mm
Width 158 mm	Height 60 mm	Braking system Akebono
Wear indicator Acoustic	WVA number 24083	Accessories With anti-squeal shim



COMPATIBLE VEHICLES

COMPATIBLE OE PART NUMBERS

05093183AA	CHRYSLER
------------	----------

5093183AA	CHRYSLER
-----------	----------

K05093183AA	CHRYSLER
-------------	----------

05093260AA	JEEP
------------	------

5093183AB	JEEP
-----------	------

5093260AA	JEEP
-----------	------

5093260AB	JEEP
-----------	------

5093260AC	JEEP
-----------	------

5093260AD	JEEP
-----------	------

K05093183AB	JEEP
-------------	------

K05093260AA	JEEP
-------------	------

K5093183AB	JEEP
------------	------

K5093260AA	JEEP
------------	------

K5093260AB	JEEP
------------	------

K5093260AC	JEEP
------------	------

K5093260AD	JEEP
------------	------