



# BRAKE PAD PRIME CERAMIC P49049N

The P49049N NAO brake pad is synonymous with reliability

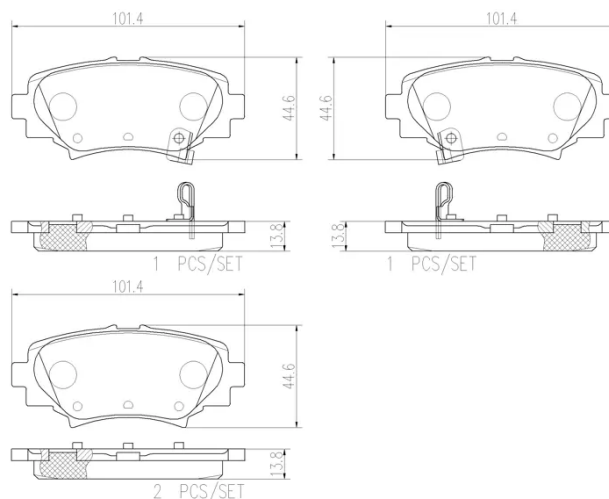
Brembo NAO brake pads stand out for their ultimate braking comfort, reduced friction wear and low dust mission, which makes for cleaner rims and reduced maintenance requirements. The advanced friction material in keeping with the strictest environmental standards is the main distinguishing feature of NAO compounds.

- ✓ OE-equivalent
- ✓ Brembo quality
- ✓ Safety
- ✓ Comfort
- ✓ Durability
- ✓ Dust reduction
- ✓ With accessories



## Technical specifications

EAN code <b>8020584082508</b>	Axle <b>Rear</b>	Thickness <b>14 mm</b>
Width <b>101 mm</b>	Height <b>45 mm</b>	Braking system <b>Akebono</b>
Wear indicator <b>Acoustic</b>	WVA number <b>25878,25880,25879</b>	Accessories <b>With accessories With anti-squeal shim With piston clip</b>



COMPATIBLE VEHICLES

## COMPATIBLE OE PART NUMBERS

B4Y02648ZA	MAZDA
B4Y02648ZB	MAZDA
B4Y02648ZC	MAZDA