



BRAKE PAD PRIME CERAMIC P56099N

The P56099N NAO brake pad is synonymous with reliability

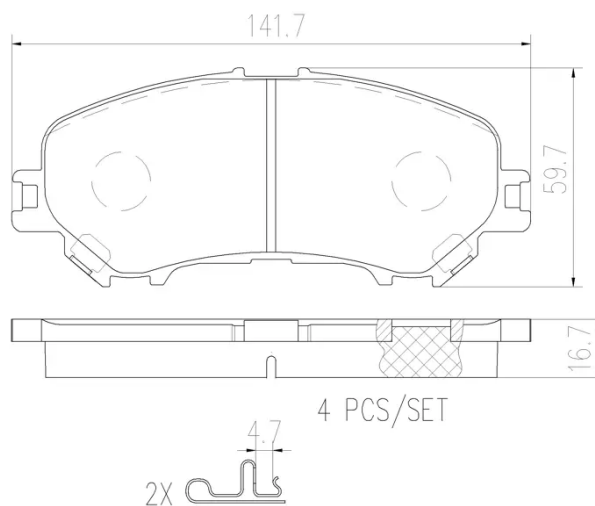
Brembo NAO brake pads stand out for their ultimate braking comfort, reduced friction wear and low dust mission, which makes for cleaner rims and reduced maintenance requirements. The advanced friction material in keeping with the strictest environmental standards is the main distinguishing feature of NAO compounds.

- ✓ OE-equivalent
- ✓ Brembo quality
- ✓ Safety
- ✓ Comfort
- ✓ Durability
- ✓ Dust reduction
- ✓ With accessories



Technical specifications

EAN code 8020584089194	Axle Front	Thickness 17 mm
Width 142 mm	Height 60 mm	Braking system Akebono
Wear indicator Acoustic	WVA number 22065	Accessories With accessories With anti-squeal shim With piston clip



COMPATIBLE VEHICLES

COMPATIBLE OE PART NUMBERS

D10604CA0A	NISSAN
------------	--------

D106M4EAXA	NISSAN
------------	--------

D1M604BA0A	NISSAN
------------	--------

410601596R	RENAULT
------------	---------

8660004059	RENAULT
------------	---------

8660004559	RENAULT
------------	---------