



BRAKE PAD NAO P59016N

The P59016N NAO brake pad is synonymous with reliability

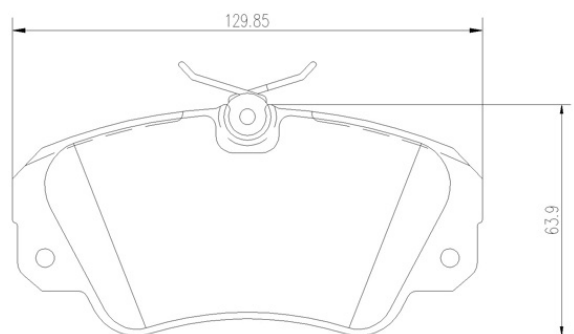
Brembo NAO brake pads stand out for their ultimate braking comfort, reduced friction wear and low dust mission, which makes for cleaner rims and reduced maintenance requirements. The advanced friction material in keeping with the strictest environmental standards is the main distinguishing feature of NAO compounds.

- ✓ OE-equivalent
- ✓ Brembo quality
- ✓ Safety
- ✓ Comfort
- ✓ Durability
- ✓ Dust reduction
- ✓ With accessories



Technical specifications

EAN code 8020584099056	Axle Front	Thickness 18 mm
Width 130 mm	Height 64 mm	Braking system Lucas
Wear indicator Prepared for wear indicator	WVA number 21368	Accessories With anti-squeal shim



4PCS/SET

COMPATIBLE OE PART NUMBERS

1605004	OPEL
1605033	OPEL
1605782	OPEL
1605785	OPEL
1605932	OPEL
90393506	OPEL
90398116	VAUXHALL
90541293	VAUXHALL
9192124	VAUXHALL
9195077	VAUXHALL