



BRAKE PAD PRIME CERAMIC P68030N

The P68030N NAO brake pad is synonymous with reliability

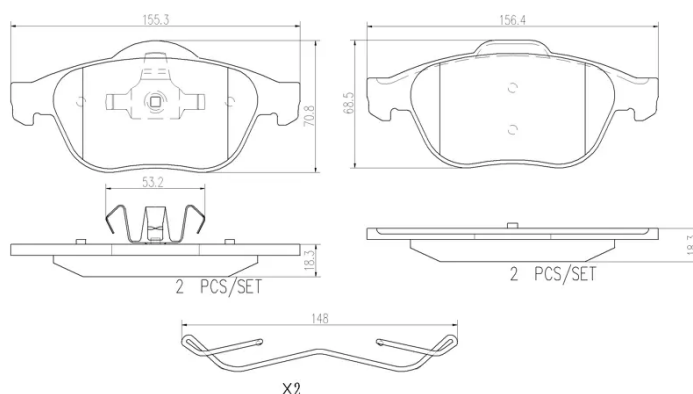
Brembo NAO brake pads stand out for their ultimate braking comfort, reduced friction wear and low dust mission, which makes for cleaner rims and reduced maintenance requirements. The advanced friction material in keeping with the strictest environmental standards is the main distinguishing feature of NAO compounds.

- ✓ OE-equivalent
- ✓ Brembo quality
- ✓ Safety
- ✓ Comfort
- ✓ Durability
- ✓ Dust reduction
- ✓ With accessories



Technical specifications

| | | |
|----------------------------------|----------------------------------|---|
| EAN code 8020584089644 | Axle Front | Thickness 18 mm |
| Width 155 mm | Height 71 mm | Braking system Teves |
| Wear indicator Without | WVA number 23247,23245 | Accessories With piston clip With anti-squeal shim With accessories |



COMPATIBLE VEHICLES

COMPATIBLE OE PART NUMBERS

| | |
|------------|---------|
| 410607613R | RENAULT |
|------------|---------|

| | |
|------------|---------|
| 7701206599 | RENAULT |
|------------|---------|

| | |
|------------|---------|
| 7701208182 | RENAULT |
|------------|---------|

| | |
|------------|---------|
| 7701209809 | RENAULT |
|------------|---------|

| | |
|------------|---------|
| 8671000730 | RENAULT |
|------------|---------|

| | |
|------------|---------|
| 8671013562 | RENAULT |
|------------|---------|

| | |
|------------|---------|
| 8671016635 | RENAULT |
|------------|---------|
