



BRAKE PAD PRIME CERAMIC P85110N

The P85110N NAO brake pad is synonymous with reliability

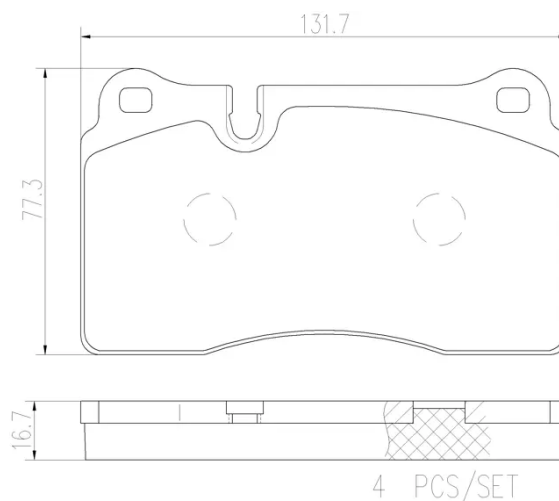
Brembo NAO brake pads stand out for their ultimate braking comfort, reduced friction wear and low dust mission, which makes for cleaner rims and reduced maintenance requirements. The advanced friction material in keeping with the strictest environmental standards is the main distinguishing feature of NAO compounds.

- ✓ OE-equivalent
- ✓ Brembo quality
- ✓ Safety
- ✓ Comfort
- ✓ Durability
- ✓ Dust reduction
- ✓ With accessories



Technical specifications

EAN code	Axle	Thickness
8020584083017	Front	17 mm
Width	Height	Braking system
132 mm	77 mm	Brembo
Wear indicator	WVA number	Accessories
Prepared for wear indicator	24098	With anti-squeal shim



COMPATIBLE VEHICLES

COMPATIBLE OE PART NUMBERS

7L6698151E	AUDI
7L6698151G	AUDI
7L6698151J	AUDI
7P6698151C	AUDI
JZW698151T	AUDI
22990625	GENERAL MOTORS
7L6698151E	SEAT
7L6698151G	SEAT
7L6698151J	SEAT
7P6698151C	SEAT
JZW698151T	SEAT
7L6698151E	SKODA
7L6698151G	SKODA
7L6698151J	SKODA
7P6698151C	SKODA
JZW698151T	SKODA
70001081	VW
7L6698151E	VW
7L6698151G	VW
7L6698151J	VW
7L6698151K	VW
7P6698151C	VW
7P6698151F	VW
JZW698151T	VW
JZW698302DF	VW