



BRAKE PAD

P 09 004E

The P 09 004E brake pad is synonymous with reliability

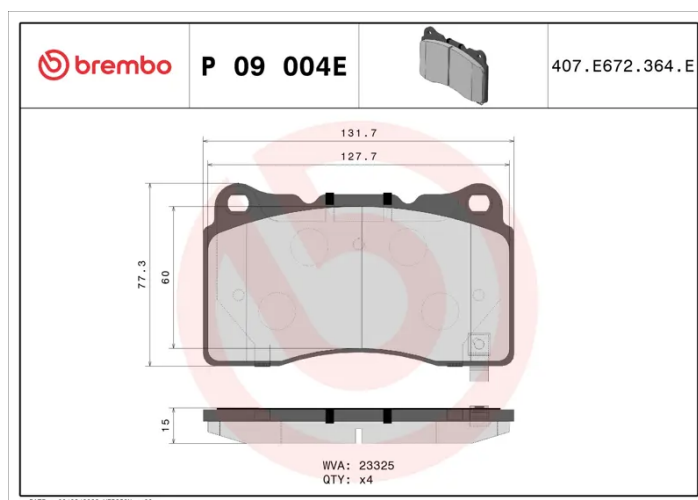
The Brembo brake pad guarantees ultimate safety when braking thanks to the use of more than 100 different compounds, designed according to the type of vehicle and use. Stopping distances reduced to a minimum, maximum driving comfort and silent operation are the most important features of Brembo materials. Brembo brake pads are supplied together with an extensive range of accessories and assembly kits for professional-standard installation.

- ✓ OE-equivalent
- ✓ Brembo quality
- ✓ ECE-R90 certificate
- ✓ Safety
- ✓ Performance
- ✓ Comfort



Technical specifications

EAN code 8020584123249	Axle Front	Thickness 15 mm
Width 132 mm	Height 78 mm	Braking system Brembo
Wear indicator Acoustic	WVA number 23325	Accessories With anti-squeal shim



COMPATIBLE VEHICLES

COMPATIBLE OE PART NUMBERS

105506600B	TESLA
------------	-------

105506600C	TESLA
------------	-------

106833000A	TESLA
------------	-------

106833000B	TESLA
------------	-------
