



BRAKE PAD

P 09 028E

The P 09 028E brake pad is synonymous with reliability

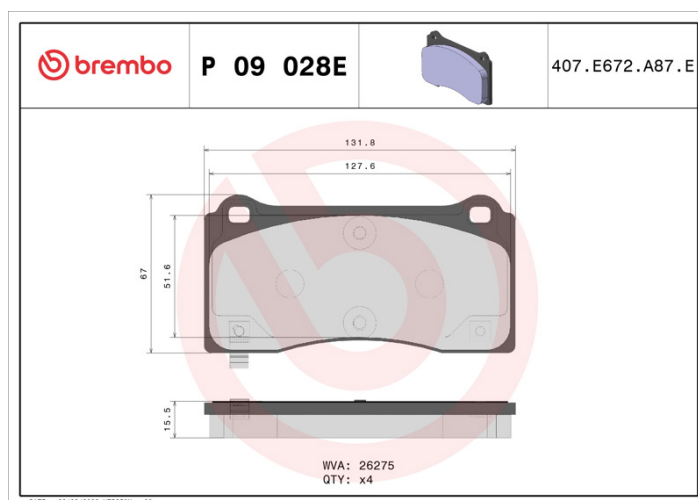
The Brembo brake pad guarantees ultimate safety when braking thanks to the use of more than 100 different compounds, designed according to the type of vehicle and use. Stopping distances reduced to a minimum, maximum driving comfort and silent operation are the most important features of Brembo materials. Brembo brake pads are supplied together with an extensive range of accessories and assembly kits for professional-standard installation.

- ✓ OE-equivalent
- ✓ Brembo quality
- ✓ ECE-R90 certificate
- ✓ Safety
- ✓ Performance
- ✓ Comfort



Technical specifications

| | | |
|-----------------------------------|----------------------------|---|
| EAN code 8020584122761 | Axle Front | Thickness 16 mm |
| Width 132 mm | Height 67 mm | Braking system Brembo |
| Wear indicator Acoustic | WVA number 26275 | Accessories With anti-squeal shim |



COMPATIBLE VEHICLES

COMPATIBLE OE PART NUMBERS

| | |
|------------|-------|
| 800824000A | TESLA |
|------------|-------|

| | |
|------------|-------|
| 800824000B | TESLA |
|------------|-------|

| | |
|------------|-------|
| 800824000C | TESLA |
|------------|-------|
