



BRAKE PAD

P 16 009

The P 16 009 brake pad is synonymous with reliability

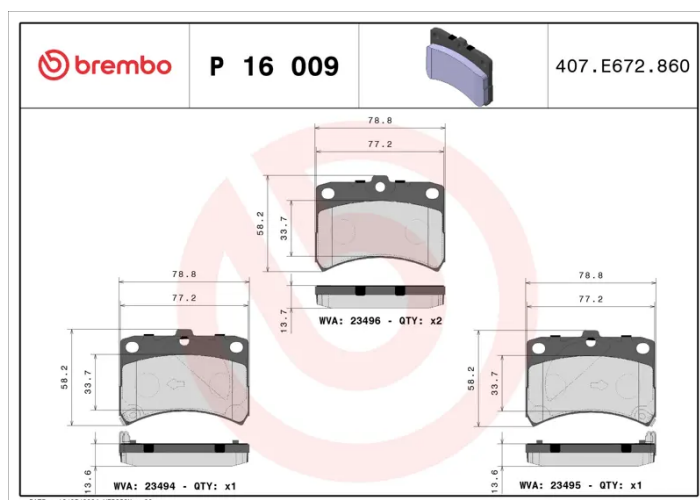
The Brembo brake pad guarantees ultimate safety when braking thanks to the use of more than 100 different compounds, designed according to the type of vehicle and use. Stopping distances reduced to a minimum, maximum driving comfort and silent operation are the most important features of Brembo materials. Brembo brake pads are supplied together with an extensive range of accessories and assembly kits for professional-standard installation.

- ✓ OE-equivalent
- ✓ Brembo quality
- ✓ ECE-R90 certificate
- ✓ Safety
- ✓ Performance
- ✓ Comfort



Technical specifications

EAN code 8020584050699	Axle Front	Thickness 14 mm
Width 79 mm	Height 58 mm	Braking system Sumitomo
Wear indicator Acoustic	WVA number 23494,23495,23496	Accessories With anti-squeal shim



COMPATIBLE VEHICLES

COMPATIBLE OE PART NUMBERS

04465B5020 DAIHATSU

04465B5030 DAIHATSU

04465B5050 DAIHATSU

04465B5051 DAIHATSU

04465B5052 DAIHATSU

04465B5060 DAIHATSU

04465B5070 DAIHATSU

04465B5080 DAIHATSU

0449197202 DAIHATSU

0449197202000 DAIHATSU

0449197213000 DAIHATSU

0449197501000 DAIHATSU

0449197506000 DAIHATSU

04491B2120 DAIHATSU

04491B5010000 DAIHATSU

0449168R01 PERODUA

04465B5020 SUBARU

04465B5051 SUBARU

04465B5052 SUBARU

04465B5060 SUBARU

04465B5080 SUBARU

04465B5020 TOYOTA

04465B5021 TOYOTA

04465B5070 TOYOTA

04465B5080 TOYOTA

04491B5010 TOYOTA
