



BRAKE PAD

P 23 067

The P 23 067 brake pad is synonymous with reliability

The Brembo brake pad guarantees ultimate safety when braking thanks to the use of more than 100 different compounds, designed according to the type of vehicle and use. Stopping distances reduced to a minimum, maximum driving comfort and silent operation are the most important features of Brembo materials. Brembo brake pads are supplied together with an extensive range of accessories and assembly kits for professional-standard installation.

- ✓ OE-equivalent
- ✓ Brembo quality
- ✓ ECE-R90 certificate
- ✓ Safety
- ✓ Performance
- ✓ Comfort
- ✓ With accessories

Technical specifications

EAN code
8020584051375

Axle
Rear

Thickness
17 mm

Width
90 mm

Height
50 mm



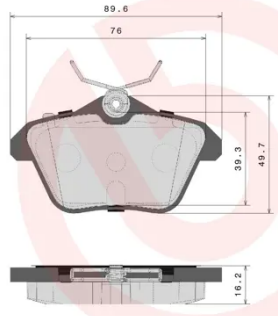
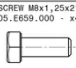
Braking system
Lucas

Wear indicator
Without

WVA number
21606

Accessories
With anti-squeal shim
With accessories
With brake caliper bolts



	P 23 067		407.E672.622
			 <small>SCREW M8x1,25x21 05.E659.000 - X4</small>
<small>DATE : 22/05/2024 VERSION : 00</small>			

COMPATIBLE VEHICLES

COMPATIBLE OE PART NUMBERS

71712910 ALFA ROMEO

71752987 ALFA ROMEO

77362144 ALFA ROMEO

9945775 ALFA ROMEO

99457750 ALFA ROMEO

9946568 ALFA ROMEO

99465680 ALFA ROMEO

9948577 ALFA ROMEO

9950821 ALFA ROMEO

9951193 ALFA ROMEO

71770990 FIAT

77362257 FIAT

77362343 FIAT

9947916 FIAT

77362144 LANCIA

77362257 LANCIA
