



BRAKE PAD

P 23 190

The P 23 190 brake pad is synonymous with reliability

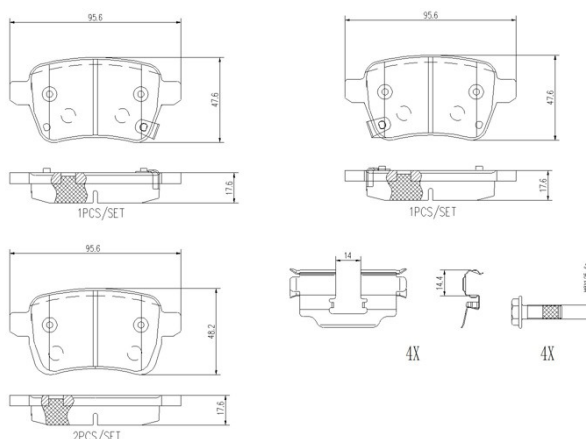
The Brembo brake pad guarantees ultimate safety when braking thanks to the use of more than 100 different compounds, designed according to the type of vehicle and use. Stopping distances reduced to a minimum, maximum driving comfort and silent operation are the most important features of Brembo materials. Brembo brake pads are supplied together with an extensive range of accessories and assembly kits for professional-standard installation.



- ✓ OE-equivalent
- ✓ Brembo quality
- ✓ ECE-R90 certificate
- ✓ Safety
- ✓ Performance
- ✓ Comfort
- ✓ With accessories

Technical specifications

EAN code 8020584087572	Axle Rear	Thickness 18 mm
Width 96 mm	Height 48 mm	Braking system TRW
Wear indicator Acoustic	WVA number 25819,25820,25818	Accessories With accessories With brake caliper bolts



COMPATIBLE VEHICLES

COMPATIBLE OE PART NUMBERS

77367914

FIAT
