



BRAKE PAD

P 30 101

The P 30 101 brake pad is synonymous with reliability

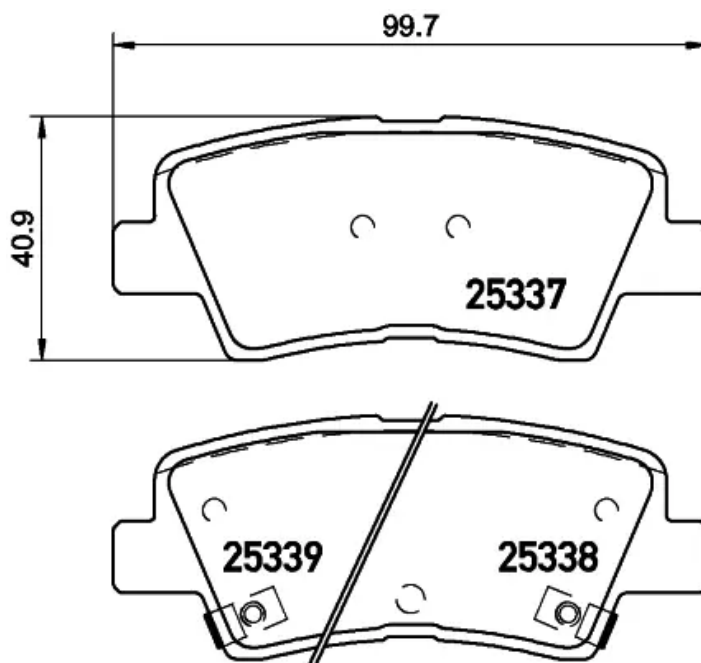
The Brembo brake pad guarantees ultimate safety when braking thanks to the use of more than 100 different compounds, designed according to the type of vehicle and use. Stopping distances reduced to a minimum, maximum driving comfort and silent operation are the most important features of Brembo materials. Brembo brake pads are supplied together with an extensive range of accessories and assembly kits for professional-standard installation.



- ✓ OE-equivalent
- ✓ Brembo quality
- ✓ ECE-R90 certificate
- ✓ Safety
- ✓ Performance
- ✓ Comfort
- ✓ With accessories

Technical specifications

EAN code 8020584069967	Axle Rear	Thickness 15 mm
Width 100 mm	Height 41 mm	Braking system Akebono
Wear indicator Acoustic	WVA number 25339,25338,25337	Accessories With anti-squeal shim With accessories With piston clip



COMPATIBLE OE PART NUMBERS

58302B2A20	HYUNDAI
58302E4A50	HYUNDAI
58302J3A40	HYUNDAI
58302J9A30	HYUNDAI
58302K4A00	HYUNDAI
58302K4A05	HYUNDAI
58302K4A10	HYUNDAI
58302M6A30	HYUNDAI
58302AZA00	HYUNDAI (BEIJING)
58302CYA00	HYUNDAI (BEIJING)
58302B2A20	KIA
58302E4A50	KIA
58302J3A40	KIA
58302M6A30	KIA
58302M7A30	KIA
58302Q4A00	KIA