



BRAKE PAD

P 30 158

The P 30 158 brake pad is synonymous with reliability

The Brembo brake pad guarantees ultimate safety when braking thanks to the use of more than 100 different compounds, designed according to the type of vehicle and use. Stopping distances reduced to a minimum, maximum driving comfort and silent operation are the most important features of Brembo materials. Brembo brake pads are supplied together with an extensive range of accessories and assembly kits for professional-standard installation.



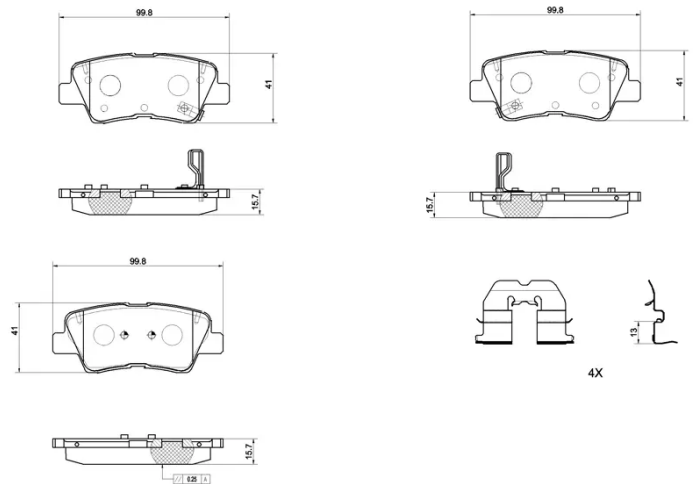
- ✓ OE-equivalent
- ✓ Brembo quality
- ✓ ECE-R90 certificate
- ✓ Safety
- ✓ Performance
- ✓ Comfort
- ✓ With accessories

Technical specifications

EAN code **8020584126110** Axle **Rear** Thickness **16 mm**

Width **100 mm** Height **41 mm**

Wear indicator **Without**
 Accessories **With piston clip
 With accessories
 With anti-squeal shim**



COMPATIBLE VEHICLES

COMPATIBLE OE PART NUMBERS

58302S7A00

HYUNDAI (BEIJING)

58302G2A70

KIA