



BRAKE PAD XTRA

P 44 026X

The P 44 026X Xtra brake pad is synonymous with reliability

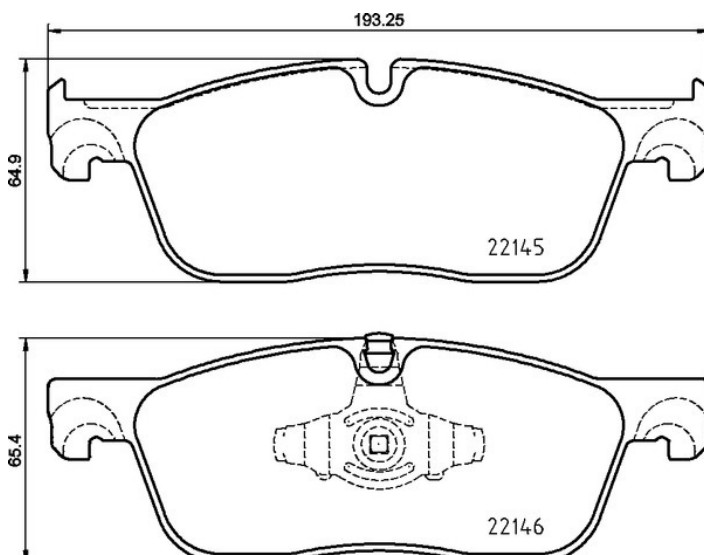
Brembo Xtra brake pads, developed to enhance the advantages of the Xtra and Max discs, are made using the special BRM X L01 compound which consists of more than 30 different components. Compared with the compound used for original-equivalent pads, the new solution assures a higher friction coefficient, which translates to more precise and stable braking, at both high and low temperatures. All this makes for greater driving comfort and improved pedal modularity, without compromising the product's mileage output.



- ✓ OE-equivalent
- ✓ Brembo quality
- ✓ ECE-R90 certificate
- ✓ Safety
- ✓ Performance
- ✓ Sports driving

Technical specifications

EAN code 8020584068922	Axle Front	Thickness 18 mm
Width 193 mm	Height 66 mm	Braking system Teves
Wear indicator Prepared for wear indicator	WVA number 22145,22146	Accessories With piston clip



COMPATIBLE VEHICLES

COMPATIBLE OE PART NUMBERS

C2C41984 JAGUAR

J9C17007 JAGUAR

J9C18522 JAGUAR

J9C33357 JAGUAR

LR061373 LAND ROVER

LR072681 LAND ROVER

LR118006 LAND ROVER

LR128263 LAND ROVER

LR160435 LAND ROVER

LR160486 LAND ROVER

LR160540 LAND ROVER

T2R69707 TOYOTA
