



BRAKE PAD

P 50 073

The P 50 073 brake pad is synonymous with reliability

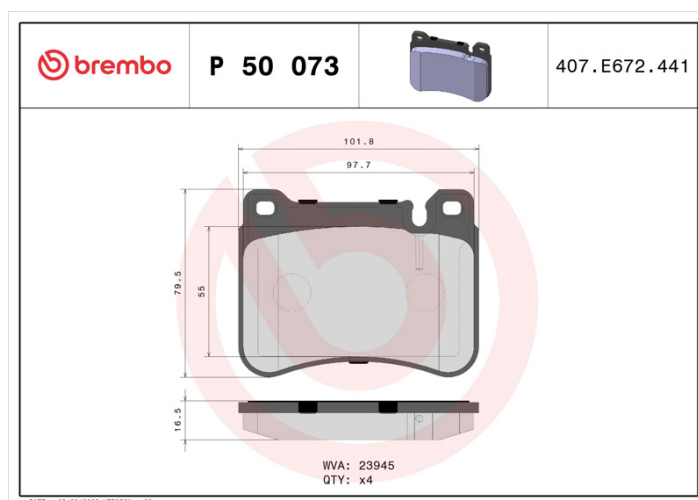
The Brembo brake pad guarantees ultimate safety when braking thanks to the use of more than 100 different compounds, designed according to the type of vehicle and use. Stopping distances reduced to a minimum, maximum driving comfort and silent operation are the most important features of Brembo materials. Brembo brake pads are supplied together with an extensive range of accessories and assembly kits for professional-standard installation.

- ✓ OE-equivalent
- ✓ Brembo quality
- ✓ ECE-R90 certificate
- ✓ Safety
- ✓ Performance
- ✓ Comfort



Technical specifications

EAN code 8020584061121	Axle Front	Thickness 17 mm
Width 102 mm	Height 80 mm	Braking system Brembo
Wear indicator Prepared for wear indicator	WVA number 23945	



COMPATIBLE VEHICLES

COMPATIBLE OE PART NUMBERS

0044205120	MERCEDES-BENZ
------------	---------------

004420512041	MERCEDES-BENZ
--------------	---------------

A0044205120	MERCEDES-BENZ
-------------	---------------
