



BRAKE PAD

P 61 133G

The P 61 133G brake pad is synonymous with reliability

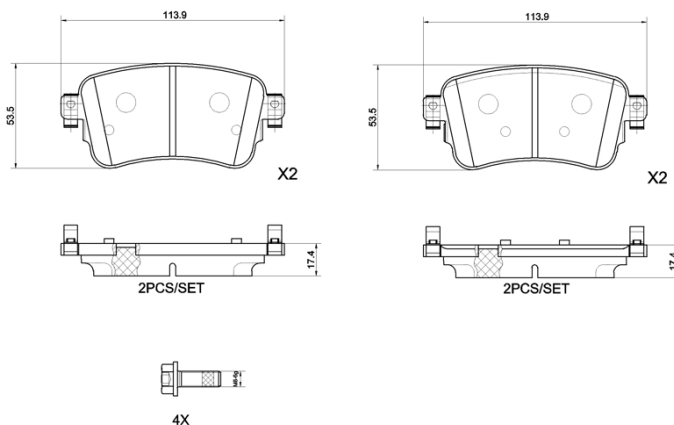
The Brembo brake pad guarantees ultimate safety when braking thanks to the use of more than 100 different compounds, designed according to the type of vehicle and use. Stopping distances reduced to a minimum, maximum driving comfort and silent operation are the most important features of Brembo materials. Brembo brake pads are supplied together with an extensive range of accessories and assembly kits for professional-standard installation.

- ✓ OE-equivalent
- ✓ Brembo quality
- ✓ ECE-R90 certificate
- ✓ Safety
- ✓ Performance
- ✓ Comfort



Technical specifications

EAN code 8020584125380	Axle Rear	Thickness 17 mm
Width 114 mm	Height 54 mm	Braking system TRW
Wear indicator Without	WVA number 22589,22588	Accessories With brake caliper bolts With anti-squeal shim



COMPATIBLE VEHICLES