



# BRAKE PAD XTRA P 85 125X

The P 85 125X Xtra brake pad is synonymous with reliability

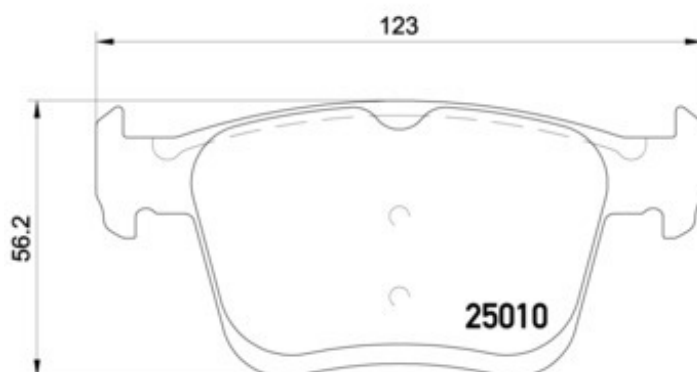
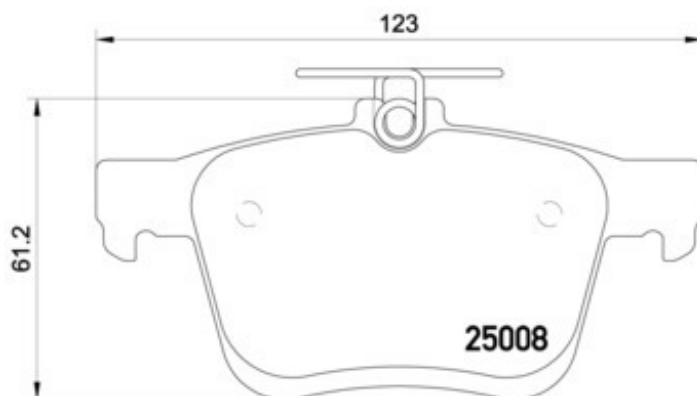
Brembo Xtra brake pads, developed to enhance the advantages of the Xtra and Max discs, are made using the special BRM X L01 compound which consists of more than 30 different components. Compared with the compound used for original-equivalent pads, the new solution assures a higher friction coefficient, which translates to more precise and stable braking, at both high and low temperatures. All this makes for greater driving comfort and improved pedal modularity, without compromising the product's mileage output.



- ✓ OE-equivalent
- ✓ Brembo quality
- ✓ ECE-R90 certificate
- ✓ Safety
- ✓ Performance
- ✓ Sports driving

## Technical specifications

EAN code	Axle	Thickness
<b>8020584069400</b>	<b>Rear</b>	<b>16 mm</b>
Width	Height	Braking system
<b>123 mm</b>	<b>56 mm</b>	<b>Teves</b>
Wear indicator	WVA number	
<b>Without</b>	<b>25010,25008</b>	



## COMPATIBLE VEHICLES

## COMPATIBLE OE PART NUMBERS

5Q0698451AD AUDI

5Q0698451C AUDI

5Q0698451N AUDI

5Q0698451Q AUDI

8Q0698451N AUDI

8V0698451 AUDI

8V0698451B AUDI

8V0698451F AUDI

JZW698451AA AUDI

L5QD698451A AUDI

L5Q0698451C AUDI (FAW)

L5QD698451A AUDI (FAW)

L8V0698451 AUDI (FAW)

10208319 MG (SAIC)

10588655 ROEWE (SAIC)

10760386 ROEWE (SAIC)

11070562 ROEWE (SAIC)

5Q0698451AD SEAT

5Q0698451C SEAT

5Q0698451N SEAT

5Q0698451Q SEAT

8V0698451 SEAT

8V0698451B SEAT

8V0698451F SEAT

JZW698451AA SEAT

5Q0698451AD SKODA

5Q0698451C SKODA

5Q0698451N SKODA

5Q0698451Q SKODA

8V0698451 SKODA

8V0698451B SKODA

8V0698451F SKODA

JZW698451AA SKODA

5QD698451D SKODA (SVW)

5QD698451H SKODA (SVW)

5Q0698451AD VW

5Q0698451AF VW

5Q0698451AK VW

5Q0698451AP VW

5Q0698451C VW

5Q0698451N VW

5Q0698451Q VW

5Q0698451R VW

8V0698451 VW

8V0698451B VW

8V0698451F	VW
8V0698491B	VW
JZW698451AA	VW
JZW698601BF	VW
5QD698451A	VW (FAW)
L5QD698451A	VW (FAW)
L8V0698451	VW (FAW)
5QD698451A	VW (SVW)
5QD698451E	VW (SVW)
5QD698451H	VW (SVW)