



BRAKE PAD XTRA

P 85 146X

The P 85 146X Xtra brake pad is synonymous with reliability

Brembo Xtra brake pads, developed to enhance the advantages of the Xtra and Max discs, are made using the special BRM X L01 compound which consists of more than 30 different components. Compared with the compound used for original-equivalent pads, the new solution assures a higher friction coefficient, which translates to more precise and stable braking, at both high and low temperatures. All this makes for greater driving comfort and improved pedal modularity, without compromising the product's mileage output.



- ✓ OE-equivalent
- ✓ Brembo quality
- ✓ ECE-R90 certificate
- ✓ Safety
- ✓ Performance
- ✓ Sports driving

Technical specifications

EAN code
8020584069462

Axle
Front

Thickness
20 mm

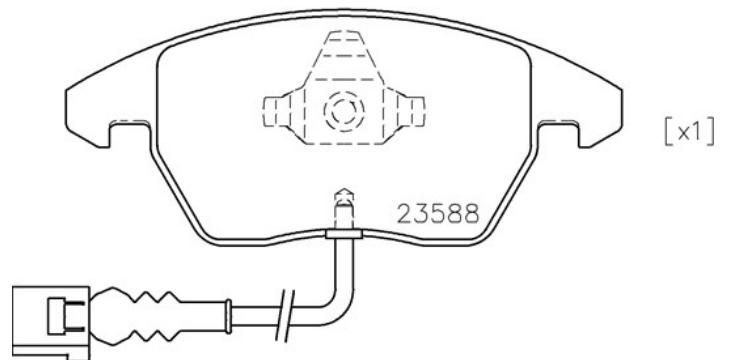
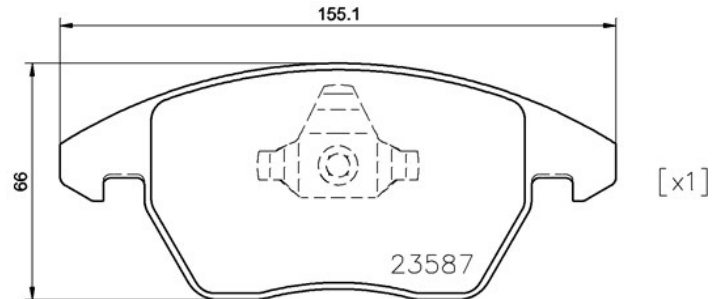
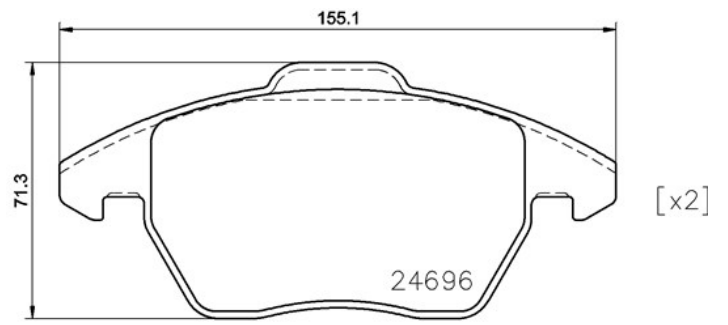
Width
155 mm

Height
66 mm

Braking system
Teves

Wear indicator
Electric

WVA number
23588,24696,23587



COMPATIBLE VEHICLES

COMPATIBLE OE PART NUMBERS

3C0698151A AUDI

3C0698151C AUDI

3C0698151D AUDI

3C0698151J AUDI

8J0698151 AUDI

8J0698151C AUDI

8J0698151P AUDI

3C0698151A SEAT

3C0698151C SEAT

3C0698151D SEAT

3C0698151J SEAT

3C0698151P SEAT

8J0698151 SEAT

8J0698151C SEAT

3C0698151A SKODA

3C0698151C SKODA

3C0698151D SKODA

3C0698151J SKODA

8J0698151 SKODA

8J0698151C SKODA

1KD698151G SKODA (SVW)

3C0698151A VW

3C0698151C VW

3C0698151D VW

3C0698151J VW

3C0698151J VW

8J0698151 VW

8J0698151C VW

8P0698302A VW

JZW698302BA VW

JZW698302BH VW

JZW698302CM VW

JZW698302CN VW

3C0698151C VW (FAW)

3C0698151J VW (FAW)

L3C0698151C VW (FAW)

L3C0698151J VW (FAW)

1KD698151G VW (SVW)