



BRAKE DISC

08.7238.10

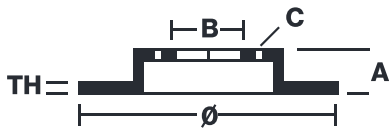
The **08.7238.10** brake disc is synonymous with reliability

The Brembo brake disc is fully interchangeable with an Original Equipment brake disc. The control of the entire production cycle allows Brembo to offer brake discs with outstanding performance levels, reliability, durability and comfort in all conditions of use. All Brembo brake discs are accompanied by the ECE-R90 homologation.

- ✓ OE-equivalent
- ✓ Brembo quality
- ✓ ECE-R90 certificate
- ✓ Safety
- ✓ Fastening screws



Technical specifications



EAN code
8020584723814

Axle
Front

Diameter \varnothing
266 mm

Thickness (TH)
13 mm

Height (A)
27 mm

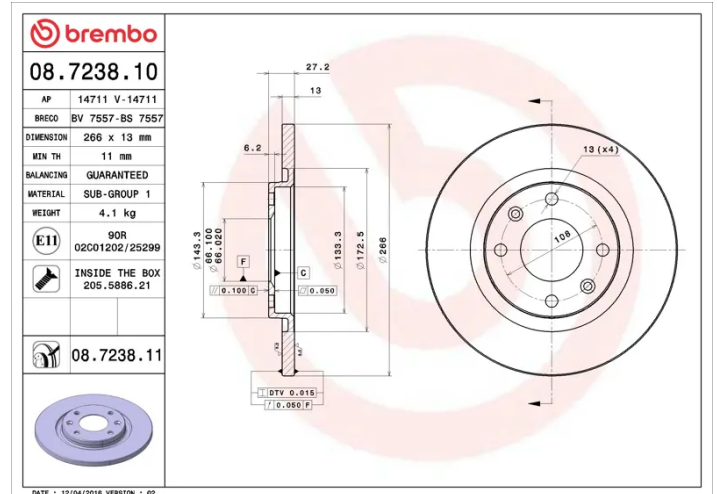
Number of holes (C)
4

Brake disc type
Solid

Centering (B)
66 mm

Min. thickness
11 mm

Tightening torque
90 Nm



COMPATIBLE VEHICLES

COMPATIBLE OE PART NUMBERS

1608691680	CITROËN
------------	---------

1613191280	CITROËN
------------	---------

1618890380	CITROËN
------------	---------

4246R4	CITROËN
--------	---------

424982	CITROËN
--------	---------

E169020	CITROËN
---------	---------

1608691680	PEUGEOT
------------	---------

1613191280	PEUGEOT
------------	---------

1618890380	PEUGEOT
------------	---------

4246R2	PEUGEOT
--------	---------

424982	PEUGEOT
--------	---------

E169020	PEUGEOT
---------	---------