



# BRAKE DISC

## 08.A540.10

The **08.A540.10** brake disc is synonymous with reliability

The Brembo brake disc is fully interchangeable with an Original Equipment brake disc. The control of the entire production cycle allows Brembo to offer brake discs with outstanding performance levels, reliability, durability and comfort in all conditions of use. All Brembo brake discs are accompanied by the ECE-R90 homologation.

- ✓ OE-equivalent
- ✓ Brembo quality
- ✓ ECE-R90 certificate
- ✓ Safety



### Technical specifications



EAN code  
**8020584028841**

Axle  
**Rear**

Diameter Ø  
**302** mm

Thickness (TH)  
**11** mm

Height (A)  
**51** mm

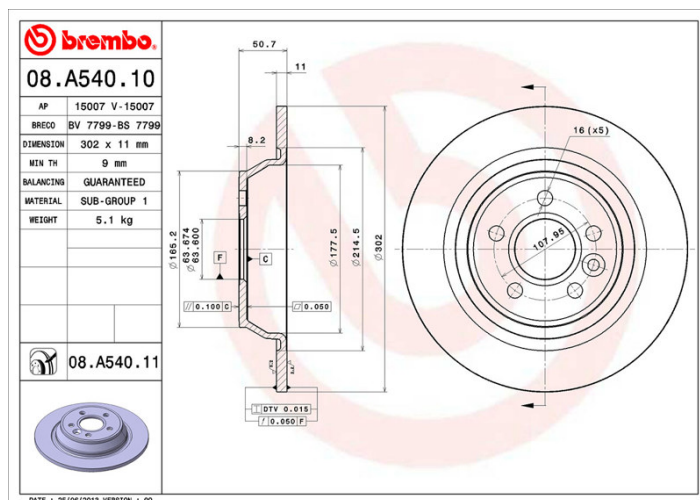
Number of holes (C)  
**5**

Brake disc type  
**Solid**

Centering (B)  
**64** mm

Min. thickness  
**9** mm

Tightening torque  
**140** Nm



COMPATIBLE VEHICLES

## COMPATIBLE OE PART NUMBERS

1379931	FORD
1385590	FORD
1405500	FORD
1864280	FORD
1892357	FORD
1892358	FORD
2111254	FORD
6G912A315BA	FORD
6G912A315BB	FORD
7G912A315BA	FORD
MEDG9J2A315BD	FORD
MEE1GJ2A315BB	FORD
MEGG9J2A315AA	FORD
1445210	FORD (CHANGAN)
7G912A315BA	FORD (CHANGAN)
LR027123	LAND ROVER