



BRAKE DISC XTRA

09.9574.1X

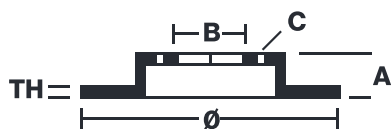
The 09.9574.1X Xtra brake disc is synonymous with reliability

The Brembo Xtra brake disc features holes on the braking surface. The holes are designed to improve the cooling of the braking system, to generate greater fading resistance and grip in the initial stages of braking. The sports look is also enhanced by the presence of the UV paint.

- ✓ Brembo quality
- ✓ ECE-R90 certificate
- ✓ Performance
- ✓ Sports driving
- ✓ Sporty look
- ✓ Anti-corrosion



Technical specifications



EAN code
8020584324486

Axle
Front

Diameter Ø
280 mm

Thickness (TH)
26 mm

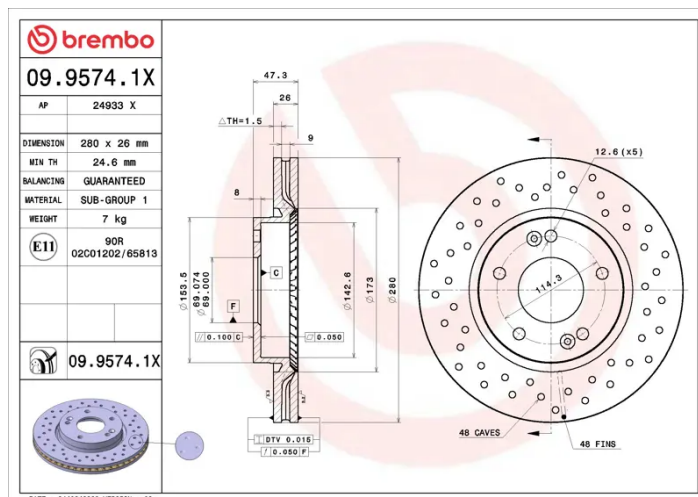
Height (A)
47,3 mm

Number of holes (C)
5

Brake disc type
Ventilated

Centering (B)
69,5 mm

Min. thickness
24,6 mm



COMPATIBLE VEHICLES

COMPATIBLE OE PART NUMBERS

517120Q100	HYUNDAI
517121F000	HYUNDAI
517121F300	HYUNDAI
517122C000	HYUNDAI
517122E300	HYUNDAI
517123K050	HYUNDAI
5517121F000	HYUNDAI
5517121F000A	HYUNDAI
517120Q100	HYUNDAI (BEIJING)
517122E300	HYUNDAI (BEIJING)
3503011U1510	JAC
517121F000	KIA
517121F300	KIA
517122C000	KIA
517122E300	KIA
517123K050	KIA
5517121F000	KIA
5517121F000A	KIA
517121F300	KIA (DYK)