



BRAKE DISC PAINTED

09.9574.21

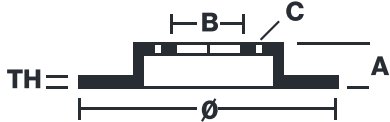
The 09.9574.21 painted brake disc is synonymous with reliability

The Brembo brake disc with special UV paint treatment guarantees superior corrosion resistance for the product, thanks to the protective coating on the outer edges and on the disc hub. The UV paint not only gives the disc a clean, shiny appearance but is also beneficial for the environment as the water-based UV paint treatment does not require the use of chemical solvents and is a low energy consumption process.

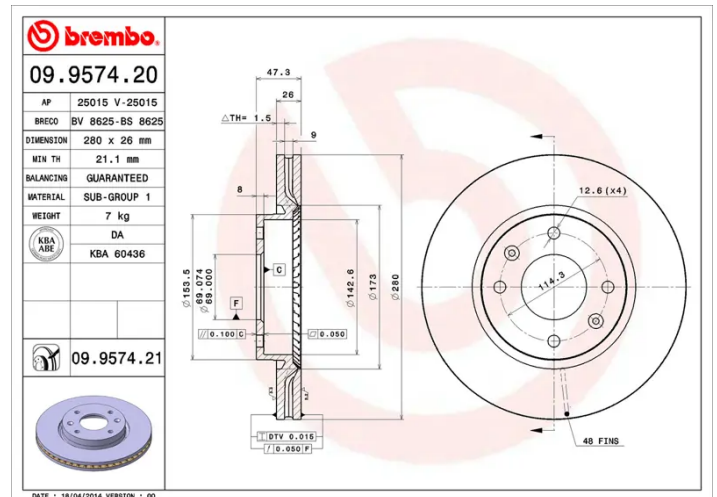
- ✓ OE-equivalent
- ✓ Brembo quality
- ✓ ECE-R90 certificate
- ✓ Safety
- ✓ Anti-corrosion



Technical specifications



EAN code 8020584032633	Axle Front	Diameter Ø 280 mm
Thickness (TH) 26 mm	Height (A) 47 mm	Number of holes (C) 4
Brake disc type Ventilated	Centering (B) 69 mm	Min. thickness 21,1 mm
Tightening torque 100 Nm		



COMPATIBLE VEHICLES

COMPATIBLE OE PART NUMBERS

517123D100	HYUNDAI
517123D300	HYUNDAI
517123L050	HYUNDAI
517123L060	HYUNDAI
5171209000	HYUNDAI (BEIJING)
H5171209000	HYUNDAI (BEIJING)
5171209000	KIA
517123C000	KIA
517123C100	KIA
517123L050	KIA
517123L060	KIA
5171209000	KIA (DYK)