



BRAKE DISC PAINTED

09.A204.11

The **09.A204.11** painted brake disc is synonymous with reliability

The Brembo brake disc with special UV paint treatment guarantees superior corrosion resistance for the product, thanks to the protective coating on the outer edges and on the disc hub. The UV paint not only gives the disc a clean, shiny appearance but is also beneficial for the environment as the water-based UV paint treatment does not require the use of chemical solvents and is a low energy consumption process.

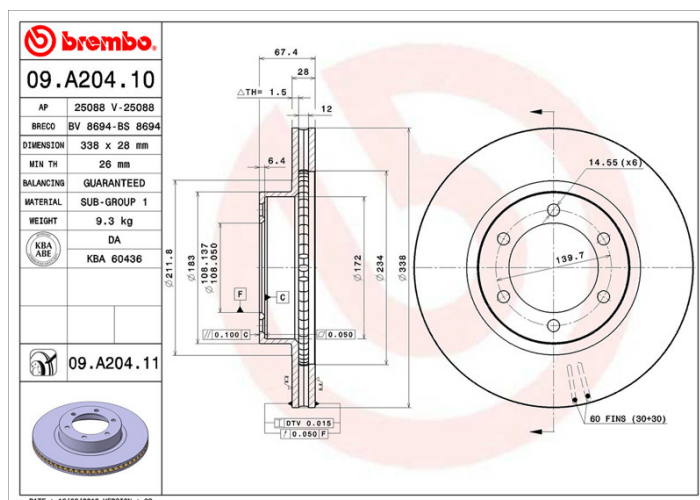
- ✓ OE-equivalent
- ✓ Brembo quality
- ✓ ECE-R90 certificate
- ✓ Safety
- ✓ Anti-corrosion



Technical specifications



| | | |
|--------------------------------------|--------------------------------|---------------------------------|
| EAN code 8020584032602 | Axle Front | Diameter Ø 338 mm |
| Thickness (TH) 28 mm | Height (A) 67 mm | Number of holes (C) 6 |
| Brake disc type Ventilated | Centering (B) 108 mm | Min. thickness 26 mm |
| Tightening torque 112 Nm | | |



COMPATIBLE VEHICLES

COMPATIBLE OE PART NUMBERS

| | |
|------------|-------|
| 4351260151 | LEXUS |
|------------|-------|

| | |
|------------|-------|
| 4351260160 | LEXUS |
|------------|-------|

| | |
|------------|--------|
| 4351260150 | TOYOTA |
|------------|--------|

| | |
|------------|--------|
| 4351260151 | TOYOTA |
|------------|--------|

| | |
|------------|--------|
| 4351260160 | TOYOTA |
|------------|--------|

| | |
|------------|--------------|
| 4351260150 | TOYOTA (FAW) |
|------------|--------------|

| | |
|------------|--------------|
| 4351260151 | TOYOTA (FAW) |
|------------|--------------|