



# BRAKE DISC PAINTED

## 09.A444.41

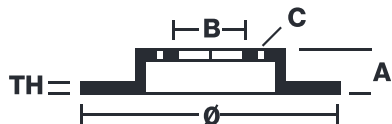
The 09.A444.41 painted brake disc is synonymous with reliability

The Brembo brake disc with special UV paint treatment guarantees superior corrosion resistance for the product, thanks to the protective coating on the outer edges and on the disc hub. The UV paint not only gives the disc a clean, shiny appearance but is also beneficial for the environment as the water-based UV paint treatment does not require the use of chemical solvents and is a low energy consumption process.

- ✓ OE-equivalent
- ✓ Brembo quality
- ✓ ECE-R90 certificate
- ✓ Safety
- ✓ High carbon
- ✓ Anti-corrosion
- ✓ PVT ventilation

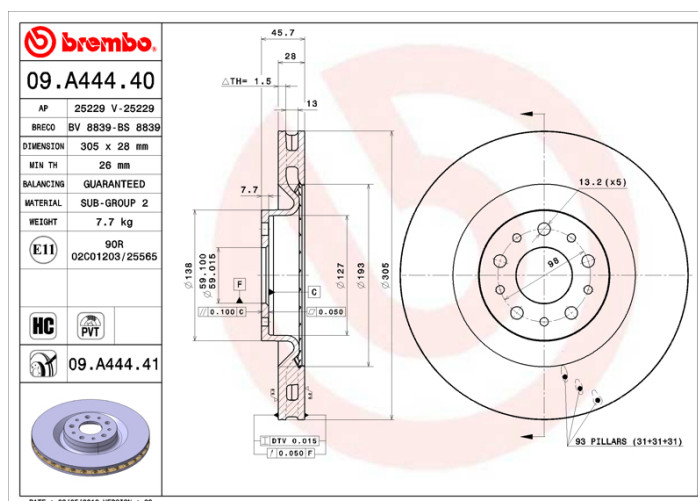


### Technical specifications



EAN code <b>8020584225899</b>	Axle <b>Front</b>	Diameter $\varnothing$ <b>305 mm</b>
Thickness (TH) <b>28 mm</b>	Height (A) <b>46 mm</b>	Number of holes (C) <b>5</b>
Brake disc type <b>Ventilated</b>	Centering (B) <b>59 mm</b>	Min. thickness <b>26 mm</b>

Tightening torque  
**86 Nm**



COMPATIBLE VEHICLES

## COMPATIBLE OE PART NUMBERS

51854567	FIAT
----------	------

51897455	FIAT
----------	------

51914663	FIAT
----------	------

52067169	FIAT
----------	------

52104172	FIAT
----------	------

52199580	FIAT
----------	------

68201086AA	FIAT
------------	------

569087	OPEL
--------	------

569096	OPEL
--------	------

95511283	OPEL
----------	------

95515332	OPEL
----------	------

95511283	VAUXHALL
----------	----------

95515332	VAUXHALL
----------	----------