



BRAKE DISC PAINTED

09.A727.11

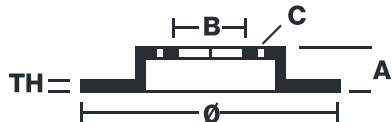
The 09.A727.11 painted brake disc is synonymous with reliability

The Brembo brake disc with special UV paint treatment guarantees superior corrosion resistance for the product, thanks to the protective coating on the outer edges and on the disc hub. The UV paint not only gives the disc a clean, shiny appearance but is also beneficial for the environment as the water-based UV paint treatment does not require the use of chemical solvents and is a low energy consumption process.

- ✓ OE-equivalent
- ✓ Brembo quality
- ✓ ECE-R90 certificate
- ✓ Safety
- ✓ High carbon
- ✓ Anti-corrosion
- ✓ Fastening screws



Technical specifications



EAN code
8020584210390

Axle
Front

Diameter Ø
280 mm

Thickness (TH)
24 mm

Height (A)
44 mm

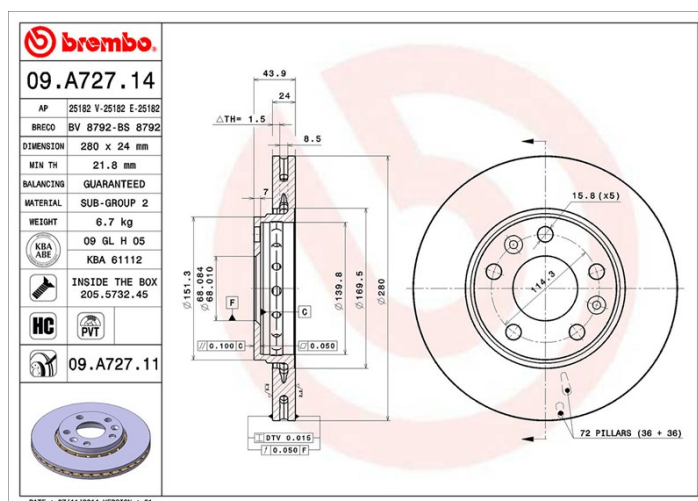
Number of holes (C)
5

Brake disc type
Ventilated

Centering (B)
68 mm

Min. thickness
21,8 mm

Tightening torque
120 Nm



COMPATIBLE OE PART NUMBERS

402060010R DACIA

402063793R DACIA

402064151R DACIA

402067902R DACIA

402069741R DACIA

8660001232 DACIA

402060010R NISSAN

4020600Q0L NISSAN

4020600Q1B NISSAN

4020600Q2D NISSAN

4020600Q2M NISSAN

402067668R NISSAN

402060010R RENAULT

402063140R RENAULT

402063793R RENAULT

402064151R RENAULT

402065585R RENAULT

8201703980 RENAULT
