



BRAKE DISC PAINTED

09.C133.11

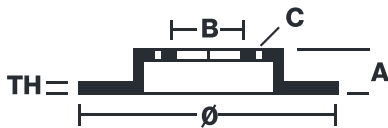
The 09.C133.11 painted brake disc is synonymous with reliability

The Brembo brake disc with special UV paint treatment guarantees superior corrosion resistance for the product, thanks to the protective coating on the outer edges and on the disc hub. The UV paint not only gives the disc a clean, shiny appearance but is also beneficial for the environment as the water-based UV paint treatment does not require the use of chemical solvents and is a low energy consumption process.

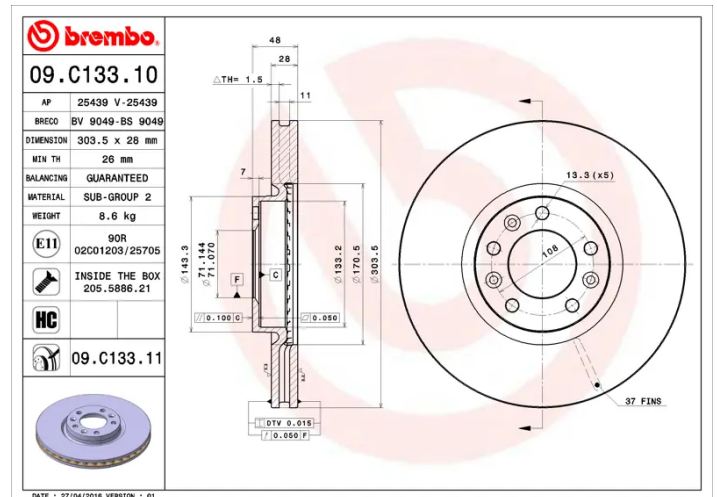
- ✓ OE-equivalent
- ✓ Brembo quality
- ✓ ECE-R90 certificate
- ✓ Safety
- ✓ High carbon
- ✓ Anti-corrosion
- ✓ Fastening screws



Technical specifications



EAN code 8020584220993	Axle Front	Diameter Ø 304 mm
Thickness (TH) 28 mm	Height (A) 48 mm	Number of holes (C) 5
Brake disc type Ventilated	Centering (B) 71 mm	Min. thickness 26 mm



COMPATIBLE VEHICLES

COMPATIBLE OE PART NUMBERS

1642760480	CITROËN
424993	CITROËN
4249K1	CITROËN
4249A3	CITROËN (DF-PSA)
9686324780	CITROËN (DF-PSA)
1642760480	DS
1687772080	DS
4249K1	DS
3641958	OPEL
4249K1	OPEL
1642760480	PEUGEOT
1687772080	PEUGEOT
424993	PEUGEOT
4249K1	PEUGEOT
9686324780	PEUGEOT (DF-PSA)
SU001A9002	TOYOTA
3641958	VAUXHALL
4249K1	VAUXHALL