



BRAKE DISC PAINTED

09.C137.11

The 09.C137.11 painted brake disc is synonymous with reliability

The Brembo brake disc with special UV paint treatment guarantees superior corrosion resistance for the product, thanks to the protective coating on the outer edges and on the disc hub. The UV paint not only gives the disc a clean, shiny appearance but is also beneficial for the environment as the water-based UV paint treatment does not require the use of chemical solvents and is a low energy consumption process.

- ✓ OE-equivalent
- ✓ Brembo quality
- ✓ ECE-R90 certificate
- ✓ Safety
- ✓ High carbon
- ✓ Anti-corrosion
- ✓ Fastening screws



Technical specifications



EAN code
8020584233283

Axle
Rear

Diameter Ø
335 mm

Thickness (TH)
22 mm

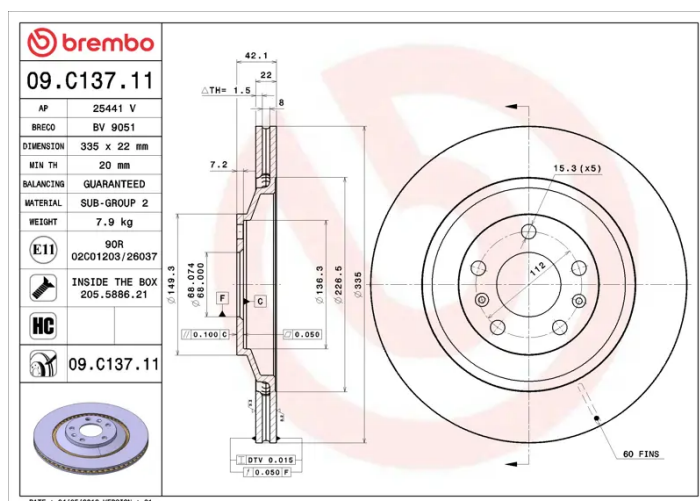
Height (A)
42 mm

Number of holes (C)
5

Brake disc type
Ventilated

Centering (B)
68 mm

Min. thickness
20 mm



COMPATIBLE VEHICLES

COMPATIBLE OE PART NUMBERS

3D0615601	AUDI
-----------	------

4E0615601G	AUDI
------------	------

4E0615601L	AUDI
------------	------

3D0615601C	BENTLEY
------------	---------

3W0615601G	BENTLEY
------------	---------

4E0615601L	BENTLEY
------------	---------

3D0615601	VW
-----------	----

3D0615601C	VW
------------	----

4E0615601L	VW
------------	----