



BRAKE DISC PAINTED

09.D392.11

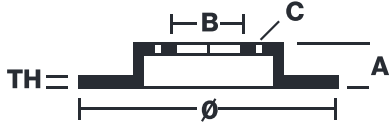
The 09.D392.11 painted brake disc is synonymous with reliability

The Brembo brake disc with special UV paint treatment guarantees superior corrosion resistance for the product, thanks to the protective coating on the outer edges and on the disc hub. The UV paint not only gives the disc a clean, shiny appearance but is also beneficial for the environment as the water-based UV paint treatment does not require the use of chemical solvents and is a low energy consumption process.

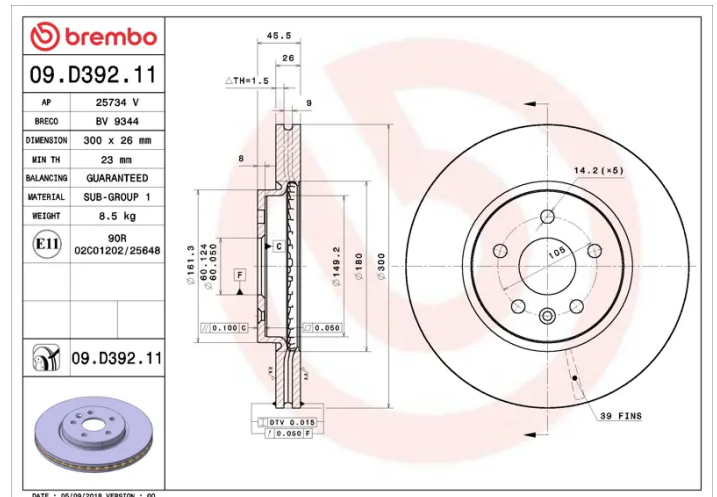
- ✓ OE-equivalent
- ✓ Brembo quality
- ✓ ECE-R90 certificate
- ✓ Safety
- ✓ Anti-corrosion



Technical specifications



EAN code 8020584234679	Axle Front	Diameter \varnothing 300 mm
Thickness (TH) 26 mm	Height (A) 46 mm	Number of holes (C) 5
Brake disc type Ventilated	Centering (B) 60 mm	Min. thickness 23 mm



COMPATIBLE VEHICLES

COMPATIBLE OE PART NUMBERS

13517845	BUICK (SGM)
----------	-------------

13583711	BUICK (SGM)
----------	-------------

13517845	CHEVROLET (SGM)
----------	-----------------

13515909	OPEL
----------	------

13597467	OPEL
----------	------

13515909	VAUXHALL
----------	----------

13597467	VAUXHALL
----------	----------