



BRAKE DISC

09.N125.10

The **09.N125.10** brake disc is synonymous with reliability

The Brembo brake disc is fully interchangeable with an Original Equipment brake disc. The control of the entire production cycle allows Brembo to offer brake discs with outstanding performance levels, reliability, durability and comfort in all conditions of use. All Brembo brake discs are accompanied by the ECE-R90 homologation.

- ✓ OE-equivalent
- ✓ Brembo quality
- ✓ ECE-R90 certificate
- ✓ Safety



Technical specifications



EAN code
8020584039441

Axle
Front

Diameter Ø
302 mm

Thickness (TH)
28 mm

Height (A)
38 mm

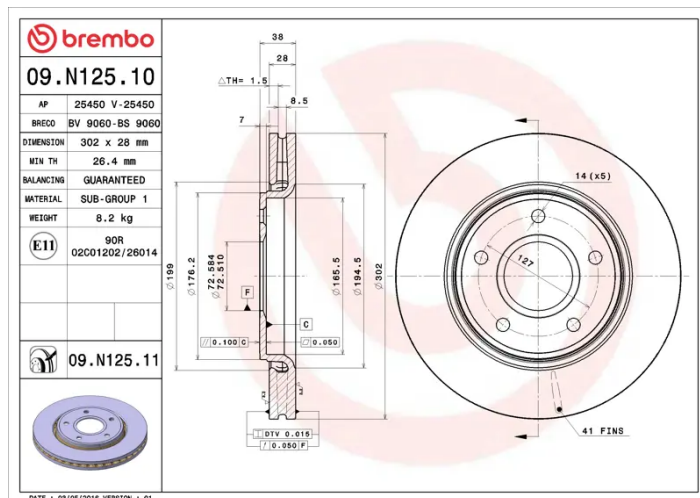
Number of holes (C)
5

Brake disc type
Ventilated

Centering (B)
73 mm

Min. thickness
26,4 mm

Tightening torque
129 Nm



COMPATIBLE VEHICLES

COMPATIBLE OE PART NUMBERS

68032944AA	CHRYSLER
------------	----------

68032944AB	CHRYSLER
------------	----------

680322944AA	DODGE
-------------	-------

68032944AA	DODGE
------------	-------

68032944AB	DODGE
------------	-------

K68032944AA	DODGE
-------------	-------

K68032944AA	FIAT
-------------	------

K68032944AB	FIAT
-------------	------

7B0615301A	VW
------------	----

7B0615301B	VW
------------	----

7B0615301C	VW
------------	----

K68032944AA	VW
-------------	----