



BRAKE PAD NAO P06041N

The P06041N NAO brake pad is synonymous with reliability

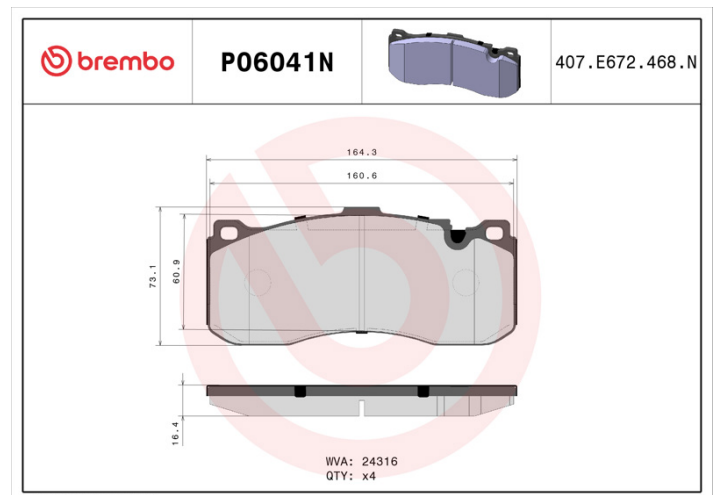
Brembo NAO brake pads stand out for their ultimate braking comfort, reduced friction wear and low dust mission, which makes for cleaner rims and reduced maintenance requirements. The advanced friction material in keeping with the strictest environmental standards is the main distinguishing feature of NAO compounds.

- ✓ OE-equivalent
- ✓ Brembo quality
- ✓ Safety
- ✓ Comfort
- ✓ Durability
- ✓ Dust reduction
- ✓ With accessories



Technical specifications

EAN code 8020584109953	Axle Front	Thickness 16 mm
Width 164 mm	Height 74 mm	Braking system Brembo
Wear indicator Prepared for wear indicator	WVA number 24316	Accessories With anti-squeal shim



COMPATIBLE VEHICLES

COMPATIBLE OE PART NUMBERS

34116784807	BMW
-------------	-----

34116786044	BMW
-------------	-----

34116797860	BMW
-------------	-----

34106860642	MINI
-------------	------

6860642	MINI
---------	------
