



BRAKE PAD PRIME CERAMIC P24176N

The P24176N NAO brake pad is synonymous with reliability

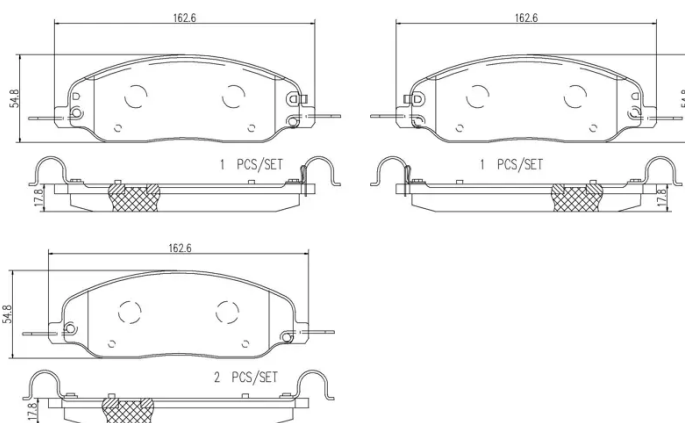
Brembo NAO brake pads stand out for their ultimate braking comfort, reduced friction wear and low dust mission, which makes for cleaner rims and reduced maintenance requirements. The advanced friction material in keeping with the strictest environmental standards is the main distinguishing feature of NAO compounds.

- ✓ OE-equivalent
- ✓ Brembo quality
- ✓ Safety
- ✓ Comfort
- ✓ Durability
- ✓ Dust reduction
- ✓ With accessories



Technical specifications

EAN code 8020584081648	Axle Front	Thickness 18 mm
Width 163 mm	Height 55 mm	
Wear indicator Acoustic	WVA number 24513,22364,22363	Accessories With anti-squeal shim



COMPATIBLE VEHICLES

COMPATIBLE OE PART NUMBERS

BR3Z2001C	FORD
CR332001AA	FORD
CR3Z2001B	FORD
CR3Z2001C	FORD
CU2Z2V001F	FORD
G2MZ2V001AC	FORD ASIA & OCEANIA
CU2Z2V001BA	FORD USA
CU2Z2V001C	FORD USA
G2MZ2V001AC	FORD USA