



# BRAKE PAD NAO P50121N

The P50121N NAO brake pad is synonymous with reliability

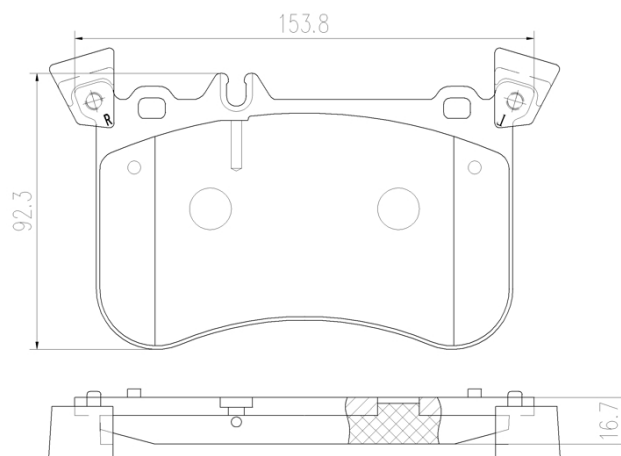
Brembo NAO brake pads stand out for their ultimate braking comfort, reduced friction wear and low dust mission, which makes for cleaner rims and reduced maintenance requirements. The advanced friction material in keeping with the strictest environmental standards is the main distinguishing feature of NAO compounds.

- ✓ OE-equivalent
- ✓ Brembo quality
- ✓ Safety
- ✓ Comfort
- ✓ Durability
- ✓ Dust reduction
- ✓ With accessories



## Technical specifications

EAN code <b>8020584069578</b>	Axle <b>Front</b>	Thickness <b>17 mm</b>
Width <b>154 mm</b>	Height <b>92 mm</b>	Braking system <b>Brembo</b>
Wear indicator <b>Prepared for wear indicator</b>	WVA number <b>25219</b>	Accessories <b>With anti-squeal shim With counterweights</b>



4 PCS/SET

COMPATIBLE VEHICLES

## COMPATIBLE OE PART NUMBERS

0004204100 MERCEDES-BENZ

---

0004207800 MERCEDES-BENZ

---

0074201220 MERCEDES-BENZ

---

0074203120 MERCEDES-BENZ

---

0084203220 MERCEDES-BENZ

---

A0004204100 MERCEDES-BENZ

---

A0004206804 MERCEDES-BENZ

---

A0004207800 MERCEDES-BENZ

---

A0074201220 MERCEDES-BENZ

---

A0074203120 MERCEDES-BENZ

---

A0084203220 MERCEDES-BENZ

---