



BRAKE PAD PRIME CERAMIC P83086N

The P83086N NAO brake pad is synonymous with reliability

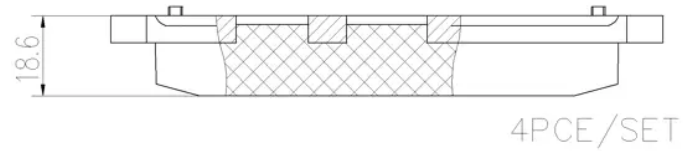
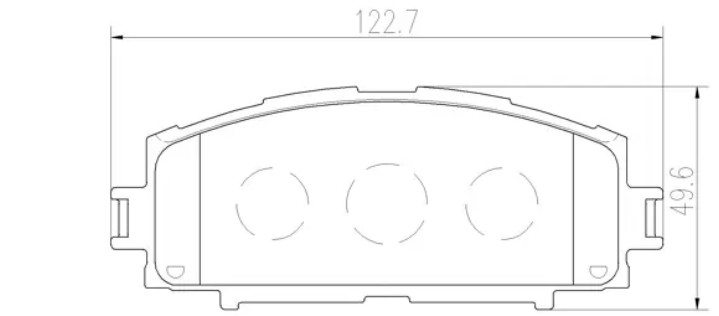
Brembo NAO brake pads stand out for their ultimate braking comfort, reduced friction wear and low dust mission, which makes for cleaner rims and reduced maintenance requirements. The advanced friction material in keeping with the strictest environmental standards is the main distinguishing feature of NAO compounds.

- ✓ OE-equivalent
- ✓ Brembo quality
- ✓ Safety
- ✓ Comfort
- ✓ Durability
- ✓ Dust reduction
- ✓ With accessories

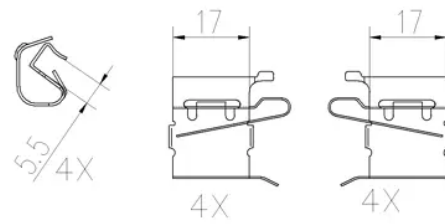


Technical specifications

EAN code 8020584099797	Axle Front	Thickness 19 mm
Width 123 mm	Height 50 mm	Braking system Akebono
Wear indicator Acoustic	WVA number 24347	Accessories With anti-squeal shim



4PCE/SET



COMPATIBLE VEHICLES

COMPATIBLE OE PART NUMBERS

3501140G08	GREAT WALL
0446552180	TOYOTA
0446552260	TOYOTA
0446562260	TOYOTA