



BRAKE PAD

P 06 065

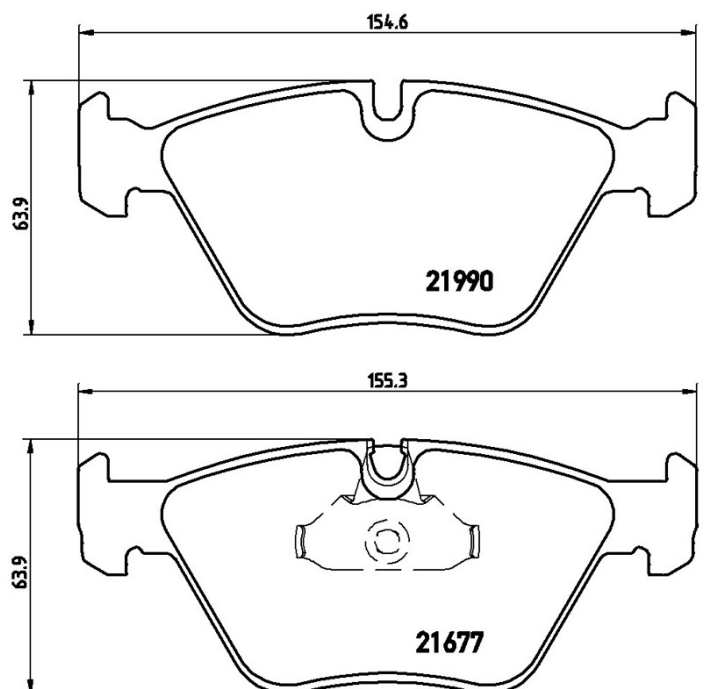
The P 06 065 brake pad is synonymous with reliability

The Brembo brake pad guarantees ultimate safety when braking thanks to the use of more than 100 different compounds, designed according to the type of vehicle and use. Stopping distances reduced to a minimum, maximum driving comfort and silent operation are the most important features of Brembo materials. Brembo brake pads are supplied together with an extensive range of accessories and assembly kits for professional-standard installation.

- ✓ OE-equivalent
- ✓ Brembo quality
- ✓ ECE-R90 certificate
- ✓ Safety
- ✓ Performance
- ✓ Comfort

Technical specifications

EAN code	Axle	Thickness
8020584090299	Front	20 mm
Width	Height	Braking system
155 mm	64 mm	Teves
Wear indicator	WVA number	Accessories
Prepared for wear indicator	21677,21990	With piston clip



COMPATIBLE OE PART NUMBERS

34111164627 BMW

34111164629 BMW

34112157586 BMW

34112157590 BMW

34116761278 BMW

34116761280 BMW
