



# BRAKE PAD

## P 23 072

The P 23 072 brake pad is synonymous with reliability



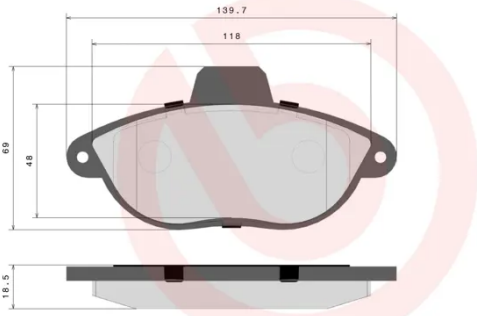
The Brembo brake pad guarantees ultimate safety when braking thanks to the use of more than 100 different compounds, designed according to the type of vehicle and use. Stopping distances reduced to a minimum, maximum driving comfort and silent operation are the most important features of Brembo materials. Brembo brake pads are supplied together with an extensive range of accessories and assembly kits for professional-standard installation.

- ✓ OE-equivalent
- ✓ Brembo quality
- ✓ ECE-R90 certificate
- ✓ Safety
- ✓ Performance
- ✓ Comfort



### Technical specifications

EAN code	Axle	Thickness
<b>8020584051429</b>	<b>Front</b>	<b>19 mm</b>
Width	Height	Braking system
<b>140 mm</b>	<b>69 mm</b>	<b>Bendix</b>
Wear indicator	WVA number	
<b>Electric</b>	<b>23042</b>	

	<b>P 23 072</b>		407.E672.574
			ELECTRIC WEAR INDICATOR 07.E654.048 - X2 282.2
WVA: 23042 QTY: X4			
<small>DATE : 09/09/2022 VERSION : 00</small>			

COMPATIBLE VEHICLES

## COMPATIBLE OE PART NUMBERS

9404251518 ALFA ROMEO

---

1617250580 CITROËN

---

425125 CITROËN

---

425126 CITROËN

---

425150 CITROËN

---

425151 CITROËN

---

425454 CITROËN

---

E172050 CITROËN

---

71711135 FIAT

---

71770132 FIAT

---

71770986 FIAT

---

77362238 FIAT

---

77365928 FIAT

---

795915 FIAT

---

9404251258 FIAT

---

1617250580 PEUGEOT

---

425125 PEUGEOT

---

425126 PEUGEOT

---

425150 PEUGEOT

---

425151 PEUGEOT

---

425454 PEUGEOT

---

E172050 PEUGEOT

---