



# BRAKE PAD

## P 23 142

The P 23 142 brake pad is synonymous with reliability

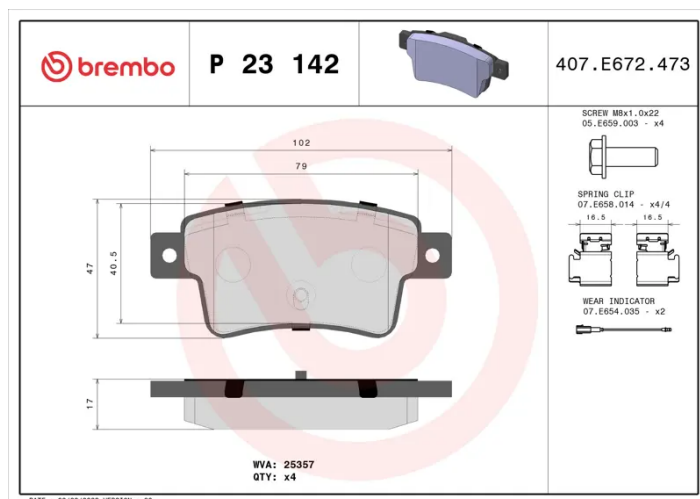
The Brembo brake pad guarantees ultimate safety when braking thanks to the use of more than 100 different compounds, designed according to the type of vehicle and use. Stopping distances reduced to a minimum, maximum driving comfort and silent operation are the most important features of Brembo materials. Brembo brake pads are supplied together with an extensive range of accessories and assembly kits for professional-standard installation.



- ✓ OE-equivalent
- ✓ Brembo quality
- ✓ ECE-R90 certificate
- ✓ Safety
- ✓ Performance
- ✓ Comfort
- ✓ With accessories

### Technical specifications

EAN code <b>8020584108819</b>	Axle <b>Rear</b>	Thickness <b>17 mm</b>
Width <b>102 mm</b>	Height <b>47 mm</b>	Braking system <b>Bosch</b>
Wear indicator <b>Electric</b>	WVA number <b>25451,25357</b>	Accessories <b>With brake caliper bolts</b> <b>With accessories</b> <b>With piston clip</b> <b>With anti-squeal shim</b>



**COMPATIBLE VEHICLES**

## COMPATIBLE OE PART NUMBERS

77365464 ABARTH

---

77365886 ABARTH

---

77365464 FIAT

---

77365886 FIAT

---