



BRAKE PAD XTRA

P 24 075X

The P 24 075X Xtra brake pad is synonymous with reliability

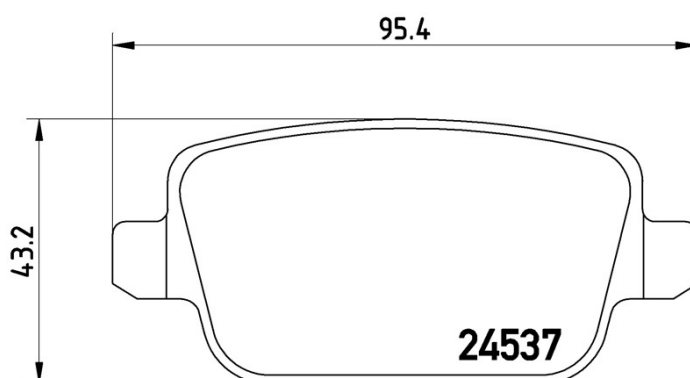
Brembo Xtra brake pads, developed to enhance the advantages of the Xtra and Max discs, are made using the special BRM X L01 compound which consists of more than 30 different components. Compared with the compound used for original-equivalent pads, the new solution assures a higher friction coefficient, which translates to more precise and stable braking, at both high and low temperatures. All this makes for greater driving comfort and improved pedal modularity, without compromising the product's mileage output.



- ✓ OE-equivalent
- ✓ Brembo quality
- ✓ ECE-R90 certificate
- ✓ Safety
- ✓ Performance
- ✓ Sports driving
- ✓ With accessories

Technical specifications

EAN code	Axle	Thickness
8020584068779	Rear	16 mm
Width	Height	Braking system
95 mm	43 mm	TRW
Wear indicator	WVA number	Accessories
Without	24537	With brake caliper bolts With accessories



COMPATIBLE VEHICLES

COMPATIBLE OE PART NUMBERS

1438867 FORD

1439867 FORD

1459408 FORD

1477803 FORD

15662234 FORD

1566234 FORD

1682005 FORD

1699667 FORD

1756395 FORD

1917249 FORD

1917250 FORD

6G9012M008GD FORD

6G912M008GA FORD

6G912M008GB FORD

6G912M008GC FORD

6G912M008GD FORD

6G912M008GF FORD

6G912MM08GA FORD

6G912MM08GB FORD

6G912MM08GC FORD

71BG8200AA FORD

ME6G9J2M008GA FORD

ME6G9J2M008GB FORD

ME6G9J2M008GC FORD

MEMG9J2M008A2A FORD

1445214 FORD (CHANGAN)

1585939 FORD (CHANGAN)

1699667 FORD (CHANGAN)

7G9N2M008AA FORD (CHANGAN)

7G9N2M008AB FORD (CHANGAN)

7G9N2M008AC FORD (CHANGAN)