



BRAKE PAD

P 36 020

The P 36 020 brake pad is synonymous with reliability

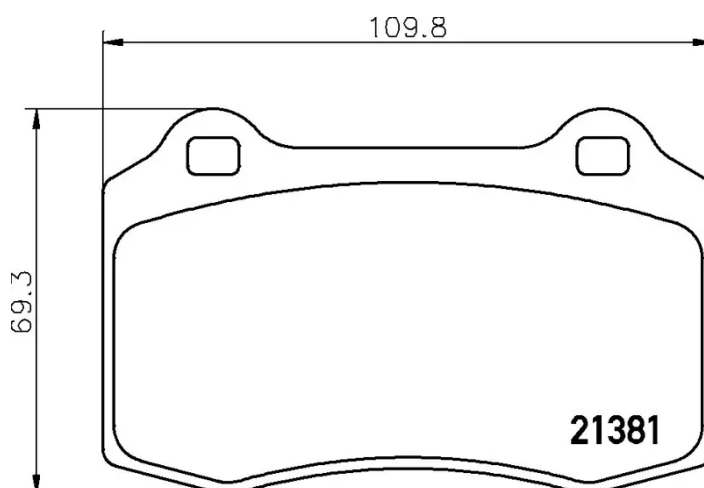
The Brembo brake pad guarantees ultimate safety when braking thanks to the use of more than 100 different compounds, designed according to the type of vehicle and use. Stopping distances reduced to a minimum, maximum driving comfort and silent operation are the most important features of Brembo materials. Brembo brake pads are supplied together with an extensive range of accessories and assembly kits for professional-standard installation.

- ✓ OE-equivalent
- ✓ Brembo quality
- ✓ ECE-R90 certificate
- ✓ Safety
- ✓ Performance
- ✓ Comfort



Technical specifications

EAN code	Axle	Thickness
8020584060865	Front and rear	15 mm
Width	Height	Braking system
110 mm	69 mm	Brembo
Wear indicator	WVA number	Accessories
Without	21381	With anti-squeal shim



COMPATIBLE VEHICLES

COMPATIBLE OE PART NUMBERS

2885759PK ASTON MARTIN

6KL698151 AUDI

1619607480 CITROËN

4254C6 CITROËN

JLM21282 DAIMLER

02C2C24016 JAGUAR

306451360 JAGUAR

306838580 JAGUAR

C2C24016 JAGUAR

C2C8361 JAGUAR

JLM21282 JAGUAR

MXD2750AA JAGUAR

1619607480 PEUGEOT

4254C6 PEUGEOT

6KL698151 SEAT

6KL698151 SKODA

30645136 VOLVO

30665552 VOLVO

30683858 VOLVO

6KL698151 VW
