



# BRAKE PAD XTRA P 37 017X

The P 37 017X Xtra brake pad is synonymous with reliability

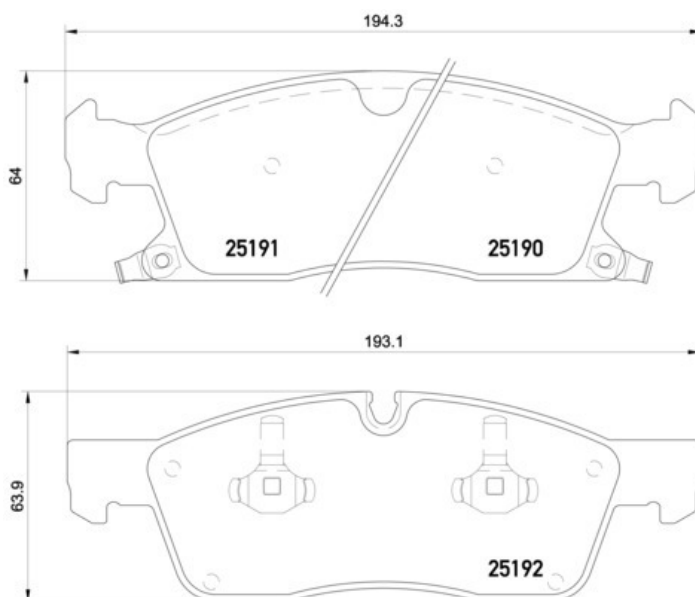
Brembo Xtra brake pads, developed to enhance the advantages of the Xtra and Max discs, are made using the special BRM X L01 compound which consists of more than 30 different components. Compared with the compound used for original-equivalent pads, the new solution assures a higher friction coefficient, which translates to more precise and stable braking, at both high and low temperatures. All this makes for greater driving comfort and improved pedal modularity, without compromising the product's mileage output.



- ✓ OE-equivalent
- ✓ Brembo quality
- ✓ ECE-R90 certificate
- ✓ Safety
- ✓ Performance
- ✓ Sports driving

## Technical specifications

EAN code	Axle	Thickness
<b>8020584121665</b>	<b>Front</b>	<b>19 mm</b>
Width	Height	Braking system
<b>193 mm</b>	<b>64 mm</b>	<b>Teves</b>
Wear indicator	WVA number	
<b>Acoustic</b>	<b>25191,25192,25190</b>	



COMPATIBLE VEHICLES

## COMPATIBLE OE PART NUMBERS

00K68052369AA JEEP

---

00K68052369AC JEEP

---

2AMV3369AA JEEP

---

2AMV3369AC JEEP

---

68052369AA JEEP

---

68052369AC JEEP

---

68052369AD JEEP

---

K68052369AA JEEP

---

KV1012369AA JEEP

---

V1012369AA JEEP

---