



BRAKE PAD

P 50 053

The P 50 053 brake pad is synonymous with reliability

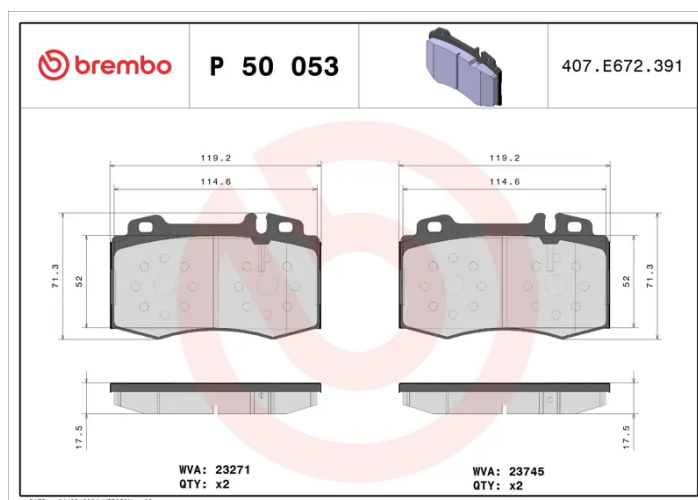
The Brembo brake pad guarantees ultimate safety when braking thanks to the use of more than 100 different compounds, designed according to the type of vehicle and use. Stopping distances reduced to a minimum, maximum driving comfort and silent operation are the most important features of Brembo materials. Brembo brake pads are supplied together with an extensive range of accessories and assembly kits for professional-standard installation.

- ✓ OE-equivalent
- ✓ Brembo quality
- ✓ ECE-R90 certificate
- ✓ Safety
- ✓ Performance
- ✓ Comfort



Technical specifications

EAN code 8020584054253	Axle Front	Thickness 18 mm
Width 120 mm	Height 71 mm	Braking system Brembo
Wear indicator Prepared for wear indicator	WVA number 23271,23745	Accessories With anti-squeal shim



COMPATIBLE VEHICLES

COMPATIBLE OE PART NUMBERS

0004208004 MERCEDES-BENZ

0004208404 MERCEDES-BENZ

0034205820 MERCEDES-BENZ

0044200520 MERCEDES-BENZ

004420052067 MERCEDES-BENZ

0044209020 MERCEDES-BENZ

0054209520 MERCEDES-BENZ

005420952041 MERCEDES-BENZ

0064203220 MERCEDES-BENZ

4420052067 MERCEDES-BENZ

A0004208004 MERCEDES-BENZ

A0004208404 MERCEDES-BENZ

A0034205820 MERCEDES-BENZ

A0044200520 MERCEDES-BENZ

A004420052067 MERCEDES-BENZ

A0044209020 MERCEDES-BENZ

A0054209520 MERCEDES-BENZ

A0064203220 MERCEDES-BENZ

A4420052067 MERCEDES-BENZ
