



BRAKE PAD

P 54 026

The P 54 026 brake pad is synonymous with reliability

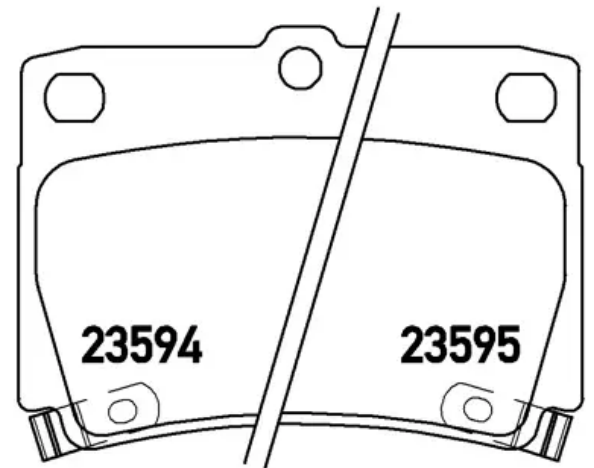
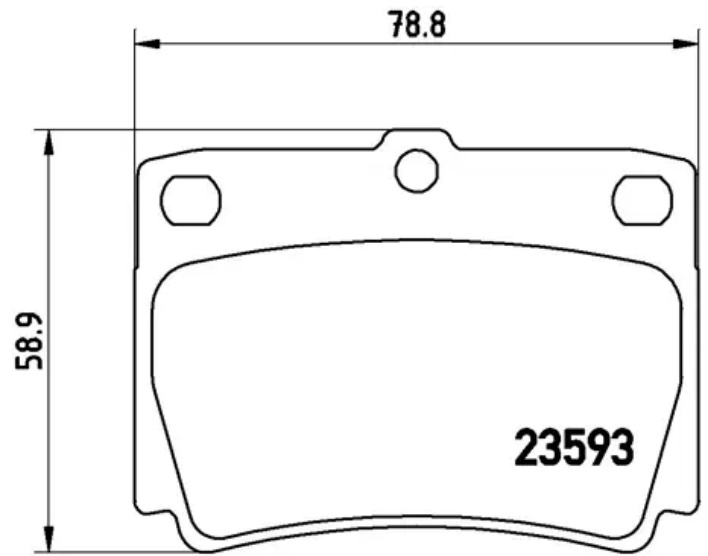
The Brembo brake pad guarantees ultimate safety when braking thanks to the use of more than 100 different compounds, designed according to the type of vehicle and use. Stopping distances reduced to a minimum, maximum driving comfort and silent operation are the most important features of Brembo materials. Brembo brake pads are supplied together with an extensive range of accessories and assembly kits for professional-standard installation.

- ✓ OE-equivalent
- ✓ Brembo quality
- ✓ ECE-R90 certificate
- ✓ Safety
- ✓ Performance
- ✓ Comfort



Technical specifications

EAN code	Axle	Thickness
8020584054734	Rear	15 mm
Width	Height	Braking system
79 mm	59 mm	Sumitomo
Wear indicator	WVA number	Accessories
Acoustic	23593,23594,23595	With anti-squeal shim



COMPATIBLE VEHICLES

COMPATIBLE OE PART NUMBERS

4605A783	mitsubishi
4605B291	mitsubishi
MN102626	mitsubishi
MR307415	mitsubishi
MR389575	mitsubishi
MZ690027	mitsubishi
MZ690047	mitsubishi
4605B291	mitsubishi (GAC)