



# BRAKE PAD

## P 54 039

The P 54 039 brake pad is synonymous with reliability

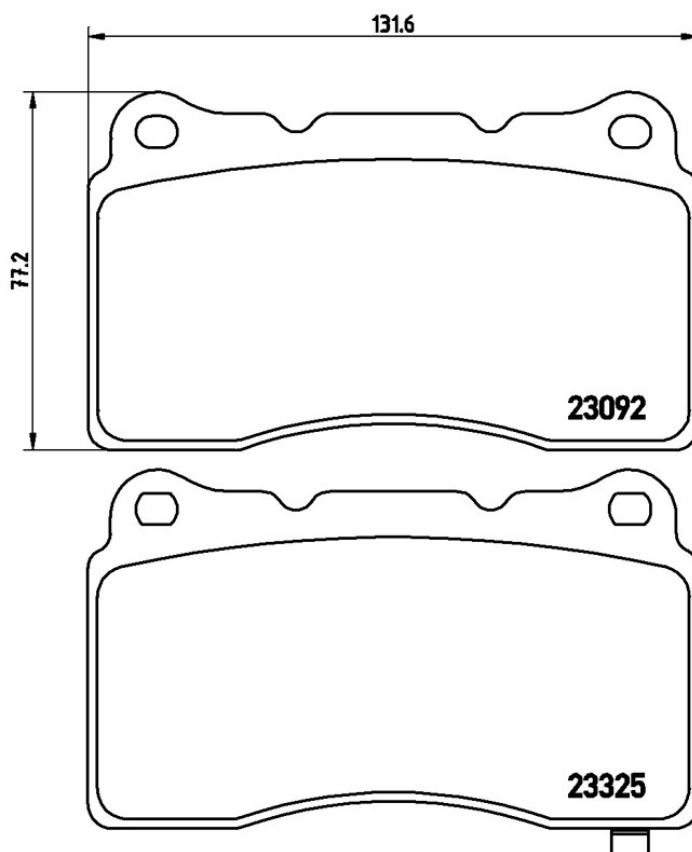
The Brembo brake pad guarantees ultimate safety when braking thanks to the use of more than 100 different compounds, designed according to the type of vehicle and use. Stopping distances reduced to a minimum, maximum driving comfort and silent operation are the most important features of Brembo materials. Brembo brake pads are supplied together with an extensive range of accessories and assembly kits for professional-standard installation.

- ✓ OE-equivalent
- ✓ Brembo quality
- ✓ ECE-R90 certificate
- ✓ Safety
- ✓ Performance
- ✓ Comfort



### Technical specifications

EAN code	Axle	Thickness
<b>8020584061329</b>	<b>Front</b>	<b>15 mm</b>
Width	Height	Braking system
<b>132 mm</b>	<b>77 mm</b>	<b>Brembo</b>
Wear indicator	WVA number	
<b>Acoustic</b>	<b>23325,23092</b>	



## COMPATIBLE OE PART NUMBERS

45022TV8E02	HONDA
26296FE040	MITSUBISHI
26296FE041	MITSUBISHI
4605A049	MITSUBISHI
4605A572	MITSUBISHI
4605A694	MITSUBISHI
MR407376	MITSUBISHI
MR407377	MITSUBISHI
26296FE010	SUBARU
26296FE040	SUBARU
26296FE041	SUBARU
26296FE042	SUBARU
26296FE100	SUBARU
26296FE120	SUBARU
SU00307217	TOYOTA