



BRAKE PAD

P 59 016

The P 59 016 brake pad is synonymous with reliability

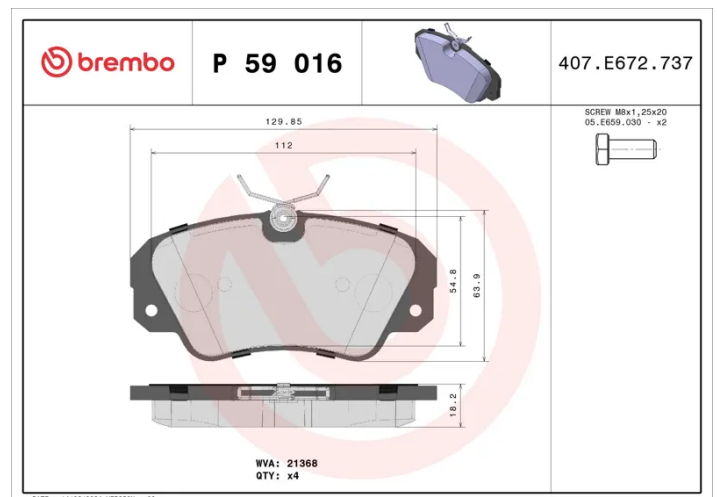
The Brembo brake pad guarantees ultimate safety when braking thanks to the use of more than 100 different compounds, designed according to the type of vehicle and use. Stopping distances reduced to a minimum, maximum driving comfort and silent operation are the most important features of Brembo materials. Brembo brake pads are supplied together with an extensive range of accessories and assembly kits for professional-standard installation.

- ✓ OE-equivalent
- ✓ Brembo quality
- ✓ ECE-R90 certificate
- ✓ Safety
- ✓ Performance
- ✓ Comfort



Technical specifications

EAN code 8020584055472	Axle Front	Thickness 18 mm
Width 130 mm	Height 64 mm	Braking system Lucas
Wear indicator Prepared for wear indicator	WVA number 21368	Accessories With brake caliper bolts



COMPATIBLE VEHICLES

COMPATIBLE OE PART NUMBERS

1605004 OPEL

1605033 OPEL

1605782 OPEL

1605785 OPEL

1605932 OPEL

90393506 OPEL

90398116 VAUXHALL

90541293 VAUXHALL

9192124 VAUXHALL

9195077 VAUXHALL
