



# BRAKE PAD XTRA P 59 077X

The P 59 077X Xtra brake pad is synonymous with reliability

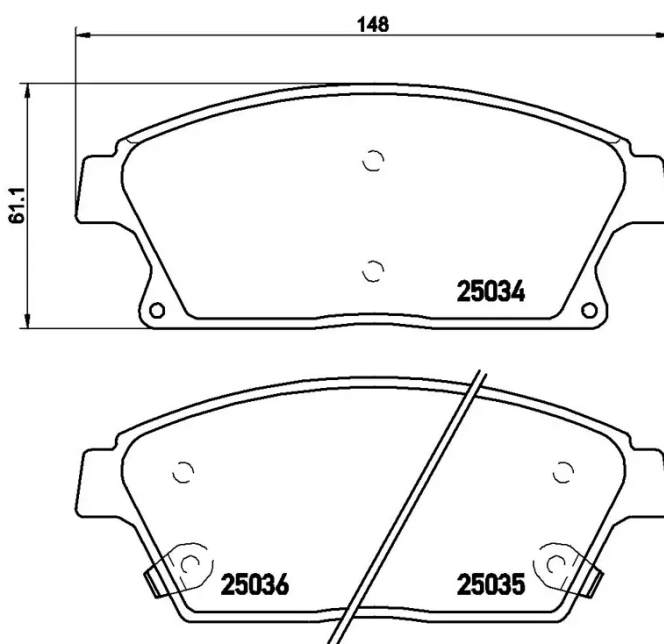
Brembo Xtra brake pads, developed to enhance the advantages of the Xtra and Max discs, are made using the special BRM X L01 compound which consists of more than 30 different components. Compared with the compound used for original-equivalent pads, the new solution assures a higher friction coefficient, which translates to more precise and stable braking, at both high and low temperatures. All this makes for greater driving comfort and improved pedal modularity, without compromising the product's mileage output.



- ✓ OE-equivalent
- ✓ Brembo quality
- ✓ ECE-R90 certificate
- ✓ Safety
- ✓ Performance
- ✓ Sports driving
- ✓ With accessories

## Technical specifications

EAN code <b>8020584069080</b>	Axle <b>Front</b>	Thickness <b>19 mm</b>
Width <b>148 mm</b>	Height <b>61 mm</b>	Braking system <b>Bosch</b>
Wear indicator <b>Acoustic</b>	WVA number <b>25034,25035,25036</b>	Accessories <b>With accessories With anti-squeal shim</b>



## COMPATIBLE OE PART NUMBERS

13412809	BUICK
22737859	BUICK (SGM)
93723740	BUICK (SGM)
13301234	CHEVROLET
13412810	CHEVROLET
22799077	CHEVROLET
39126138	CHEVROLET
42793254	CHEVROLET (SGM)
22737859	GENERAL MOTORS
23242201	GENERAL MOTORS
13301234	OPEL
13412810	OPEL
1605135	OPEL
1605178	OPEL
1605263	OPEL
1680880380	OPEL
22799077	OPEL
542115	OPEL
95516193	OPEL
95530017	OPEL
13301234	VAUXHALL
13412810	VAUXHALL
1605135	VAUXHALL
1605178	VAUXHALL
22799077	VAUXHALL
542115	VAUXHALL
95530017	VAUXHALL