



BRAKE DISC PAINTED

08.A755.11

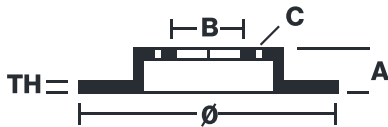
The 08.A755.11 painted brake disc is synonymous with reliability

The Brembo brake disc with special UV paint treatment guarantees superior corrosion resistance for the product, thanks to the protective coating on the outer edges and on the disc hub. The UV paint not only gives the disc a clean, shiny appearance but is also beneficial for the environment as the water-based UV paint treatment does not require the use of chemical solvents and is a low energy consumption process.

- ✓ OE-equivalent
- ✓ Brembo quality
- ✓ ECE-R90 certificate
- ✓ Safety
- ✓ Anti-corrosion

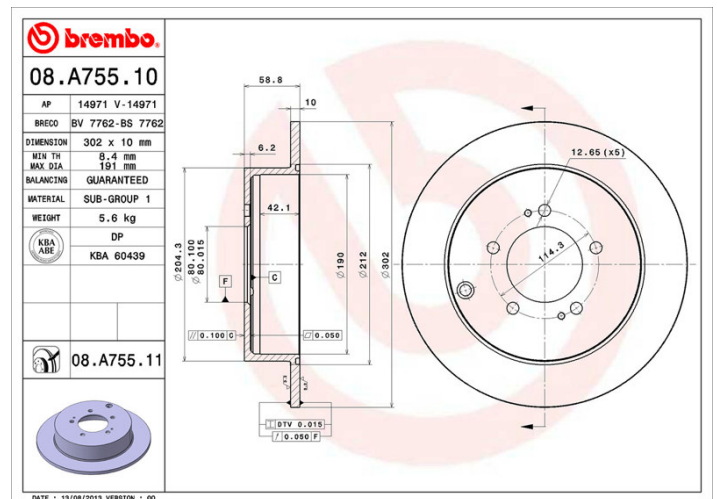


Technical specifications



EAN code 8020584032855	Axle Rear	Diameter Ø 302 mm
Thickness (TH) 10 mm	Height (A) 59 mm	Number of holes (C) 5
Brake disc type Solid	Centering (B) 80 mm	Min. thickness 8,4 mm

Tightening torque
100 Nm



COMPATIBLE VEHICLES

COMPATIBLE OE PART NUMBERS

1611500480	CITROËN
------------	---------

424962	CITROËN
--------	---------

4249F4	CITROËN
--------	---------

4615A035	MITSUBISHI
----------	------------

4615A192	MITSUBISHI
----------	------------

1611500480	PEUGEOT
------------	---------

424961	PEUGEOT
--------	---------

4249F4	PEUGEOT
--------	---------