



BRAKE DISC

09.7043.10

The **09.7043.10** brake disc is synonymous with reliability

The Brembo brake disc is fully interchangeable with an Original Equipment brake disc. The control of the entire production cycle allows Brembo to offer brake discs with outstanding performance levels, reliability, durability and comfort in all conditions of use. All Brembo brake discs are accompanied by the ECE-R90 homologation.

- ✓ OE-equivalent
- ✓ Brembo quality
- ✓ ECE-R90 certificate
- ✓ Safety



Technical specifications



EAN code
8020584704318

Axle
Front

Diameter Ø
256 mm

Thickness (TH)
24 mm

Height (A)
46 mm

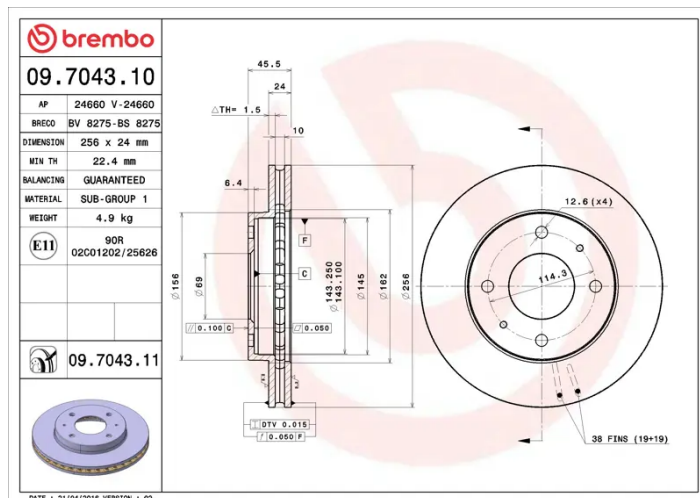
Number of holes (C)
4

Brake disc type
Ventilated

Centering (B)
69 mm

Min. thickness
22,4 mm

Tightening torque
108 Nm



COMPATIBLE VEHICLES

COMPATIBLE OE PART NUMBERS

MB668107 DODGE

MB928995 DODGE

308729268 MITSUBISHI

MB407639 MITSUBISHI

MB668107 MITSUBISHI

MB928994 MITSUBISHI

MB928995 MITSUBISHI

MR128153 MITSUBISHI

MR205584 MITSUBISHI

MR205585 MITSUBISHI

MR389722 MITSUBISHI

MR475330 MITSUBISHI

MR955636 MITSUBISHI

MR955637 MITSUBISHI

MB928994 PROTON

MR475330 PROTON

MR955637 PROTON

PW820578 PROTON
