



# BRAKE DISC PAINTED

## 09.A716.21

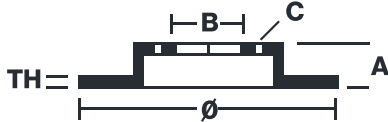
The 09.A716.21 painted brake disc is synonymous with reliability

The Brembo brake disc with special UV paint treatment guarantees superior corrosion resistance for the product, thanks to the protective coating on the outer edges and on the disc hub. The UV paint not only gives the disc a clean, shiny appearance but is also beneficial for the environment as the water-based UV paint treatment does not require the use of chemical solvents and is a low energy consumption process.

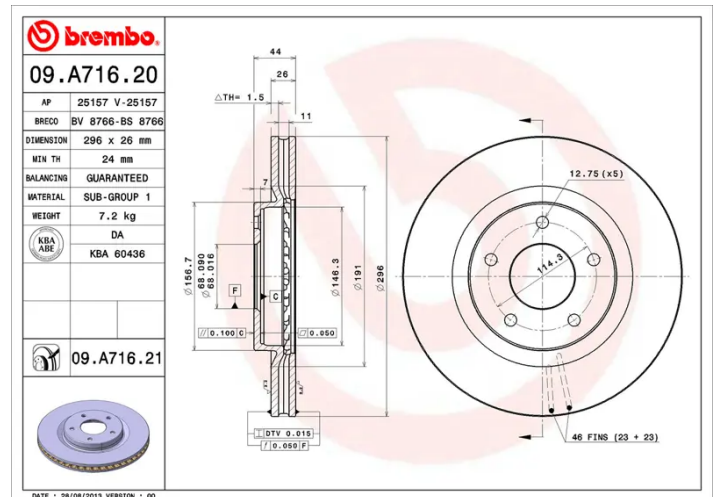
- ✓ OE-equivalent
- ✓ Brembo quality
- ✓ ECE-R90 certificate
- ✓ Safety
- ✓ Anti-corrosion



### Technical specifications



EAN code <b>8020584032930</b>	Axle <b>Front</b>	Diameter Ø <b>296 mm</b>
Thickness (TH) <b>26 mm</b>	Height (A) <b>44 mm</b>	Number of holes (C) <b>5</b>
Brake disc type <b>Ventilated</b>	Centering (B) <b>68 mm</b>	Min. thickness <b>24 mm</b>



**COMPATIBLE VEHICLES**

## COMPATIBLE OE PART NUMBERS

40206JE20B DONGFENG FENGDU

---

402061KC0A NISSAN

---

402061KC0B NISSAN

---

402061KC1A NISSAN

---

402061KC1B NISSAN

---

40206JG00A NISSAN

---

40206JG00B NISSAN

---

40206JG00C NISSAN

---

402064CL0A NISSAN (DFAC)

---

40206JE20A NISSAN (DFAC)

---

40206JE20B NISSAN (DFAC)

---

402064CL0A RENAULT (DFAC)

---

402064CL0A VENUCIA

---